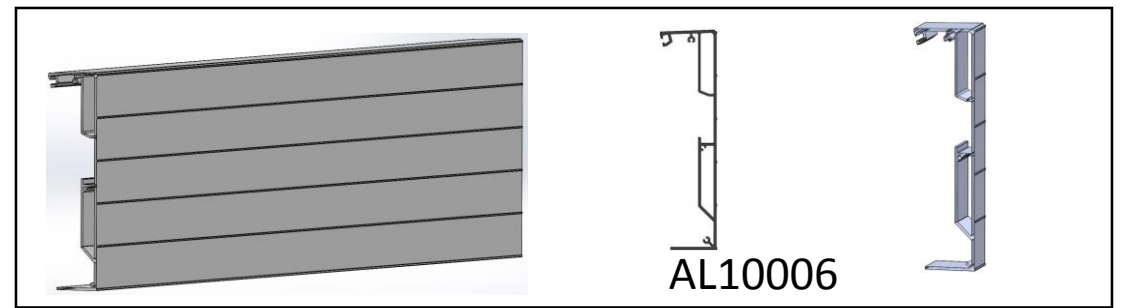
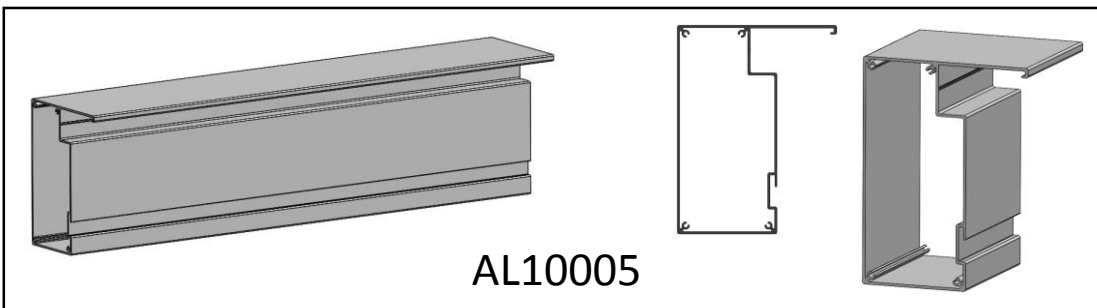
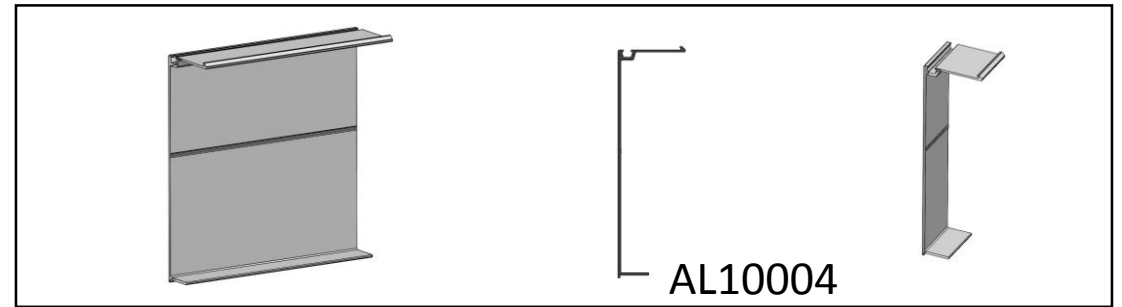
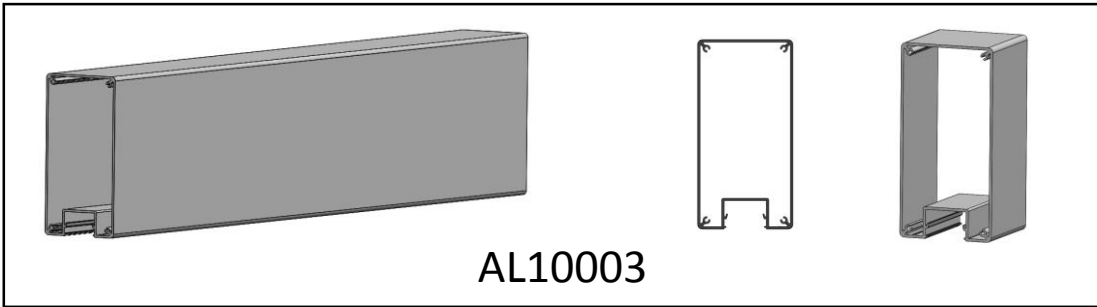
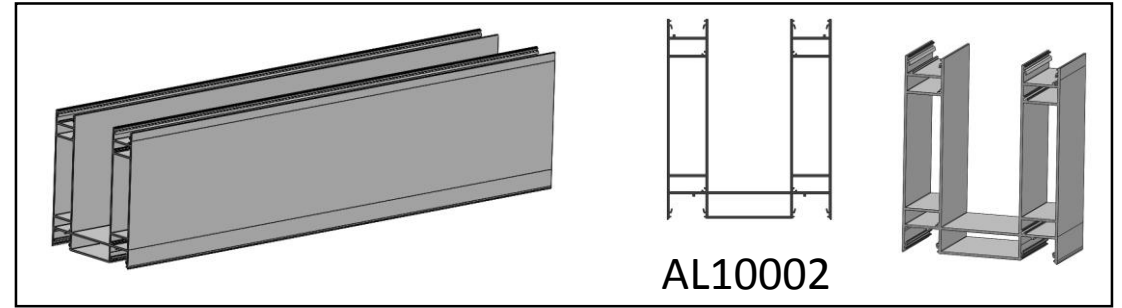
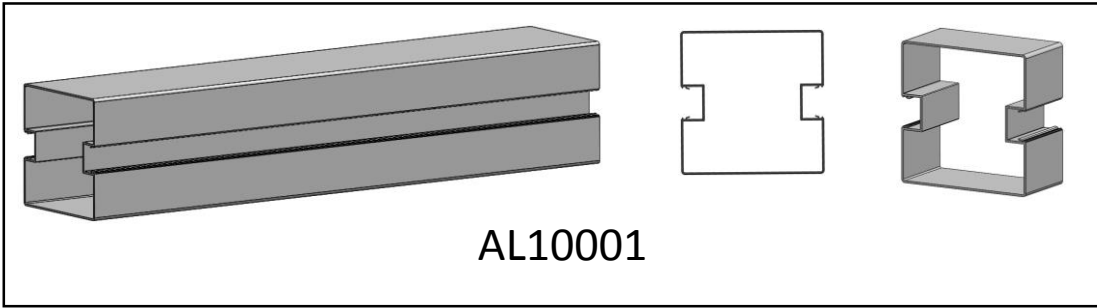
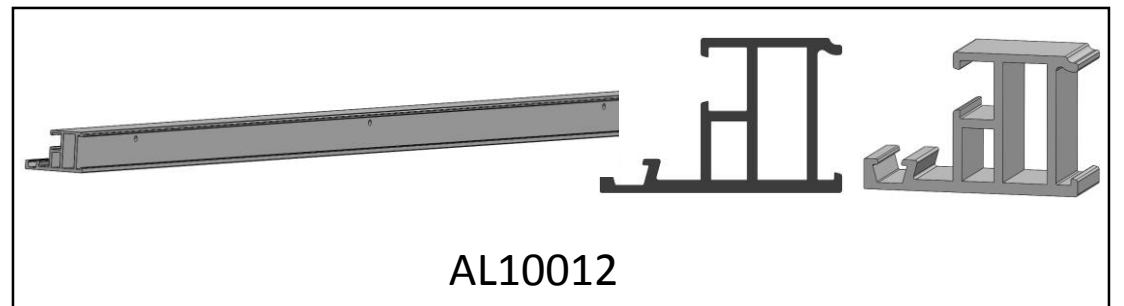
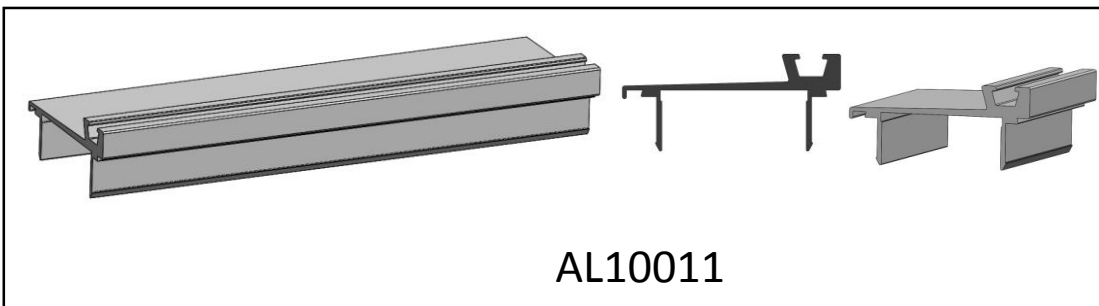
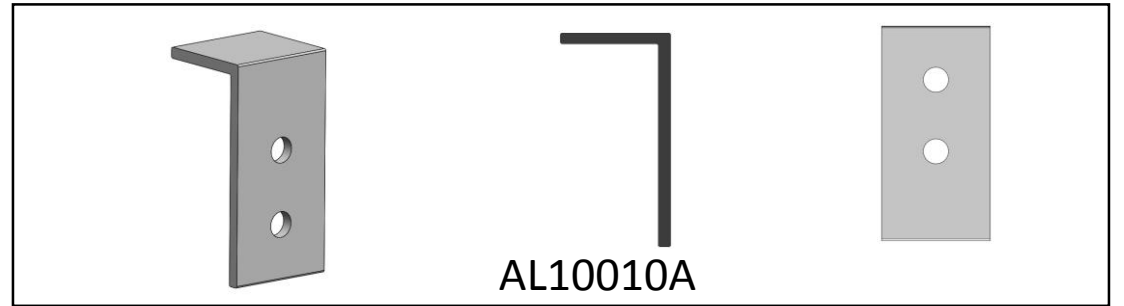
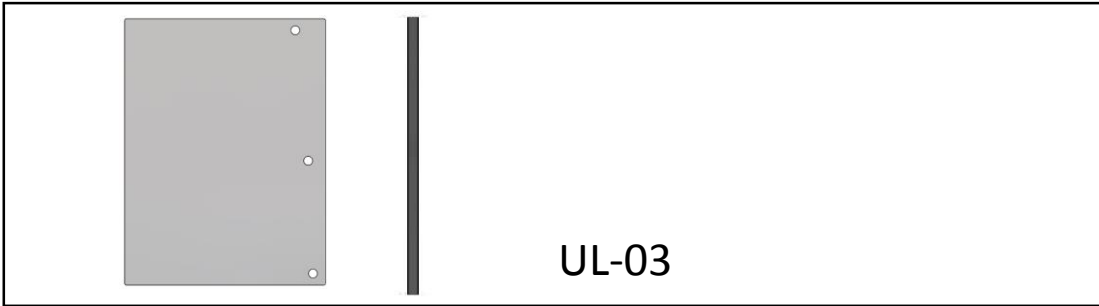
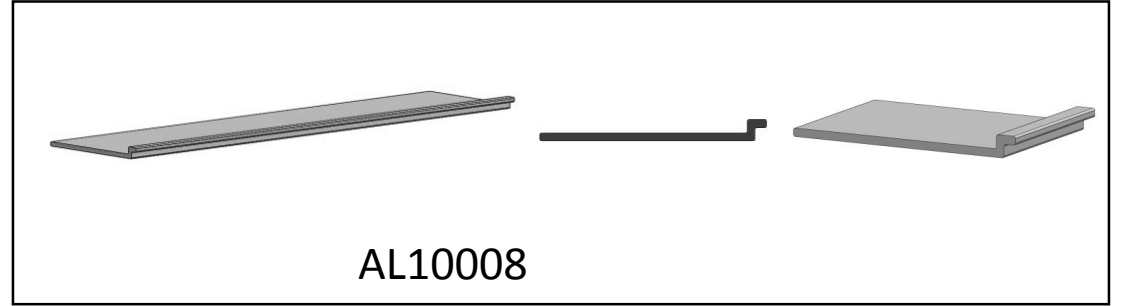
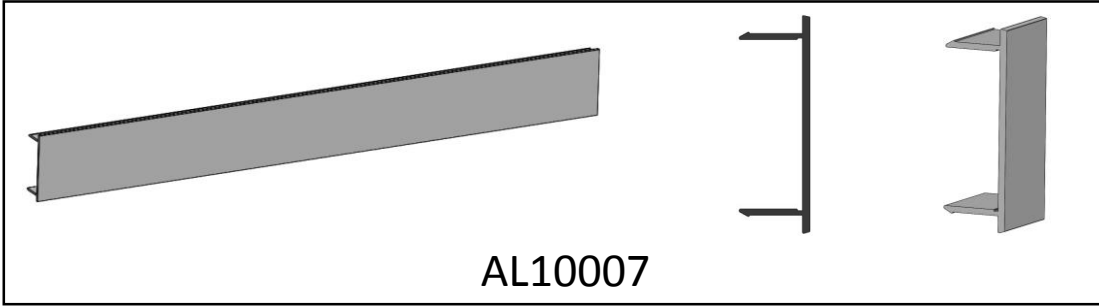
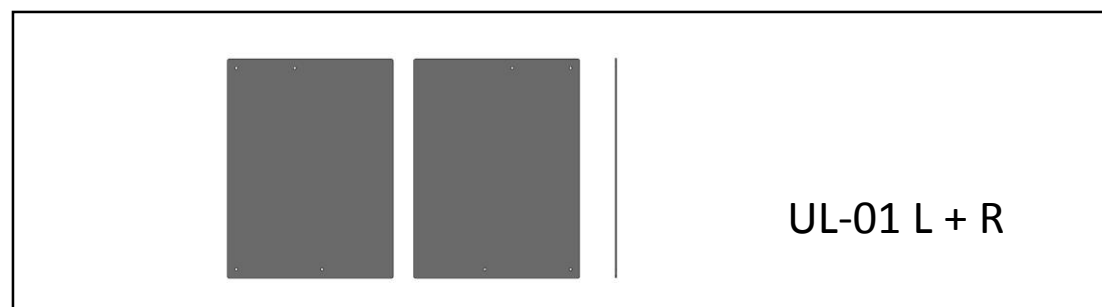
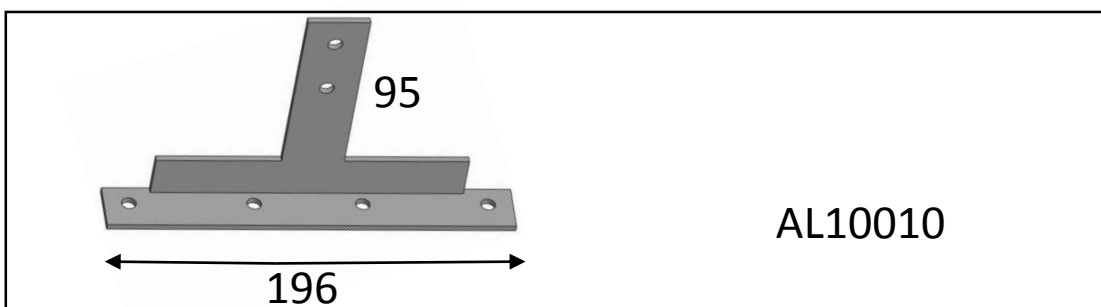
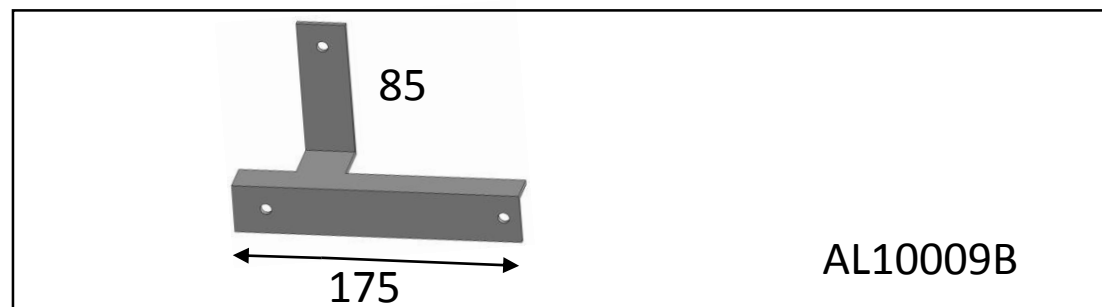
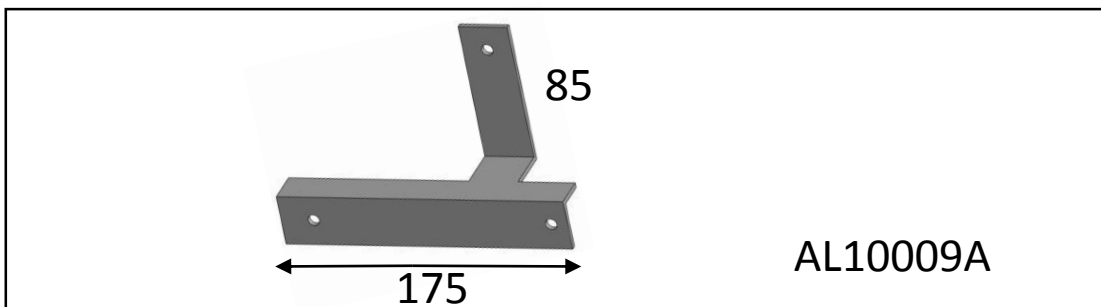
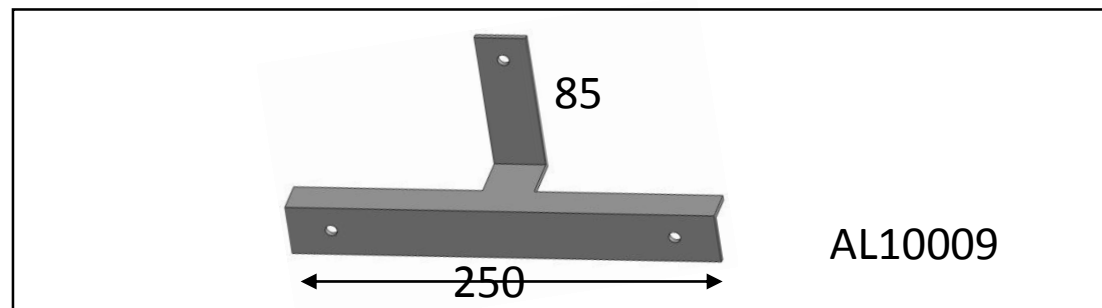
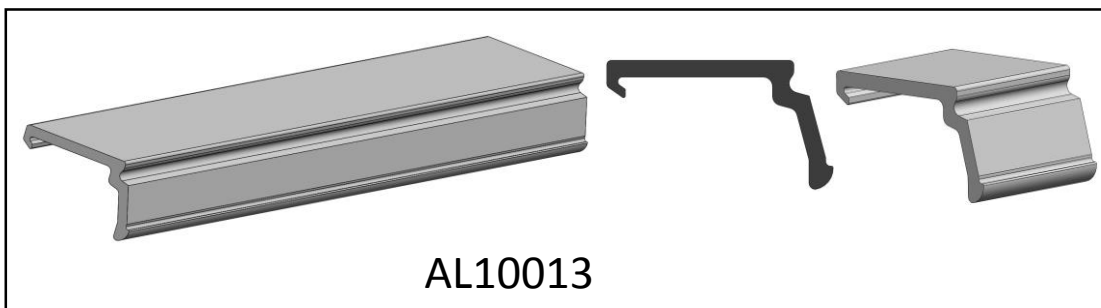


# Montage Ultraline

Version B  
08-02-2017

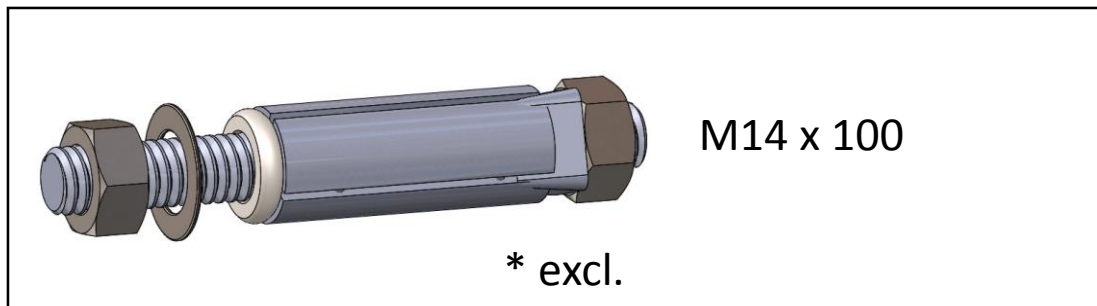
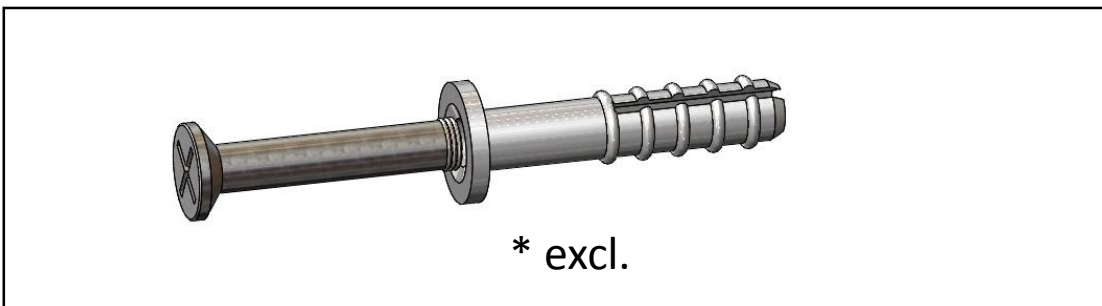
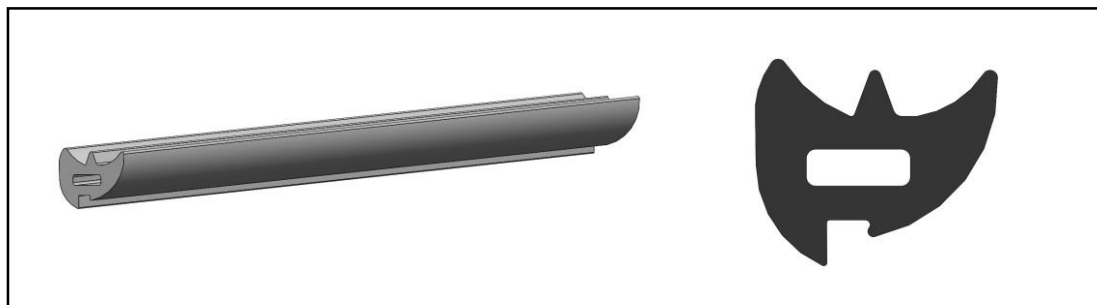
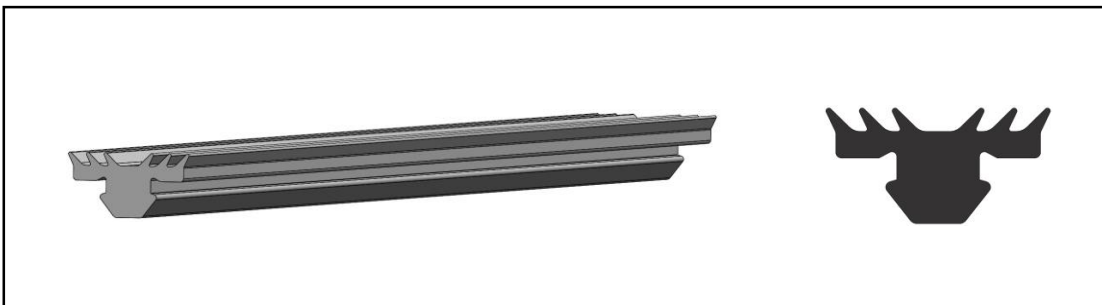
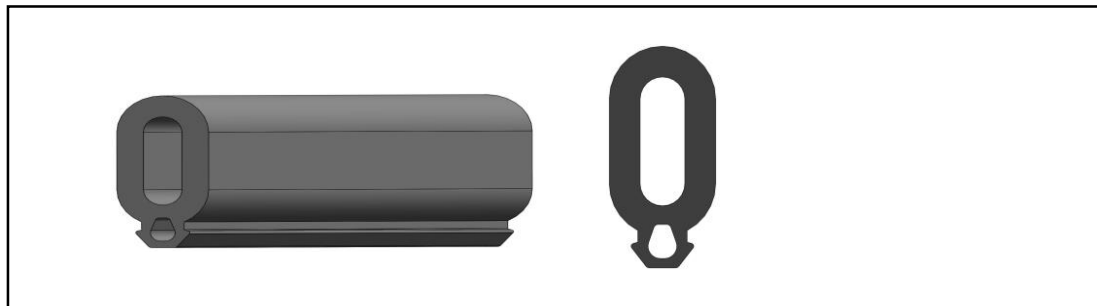
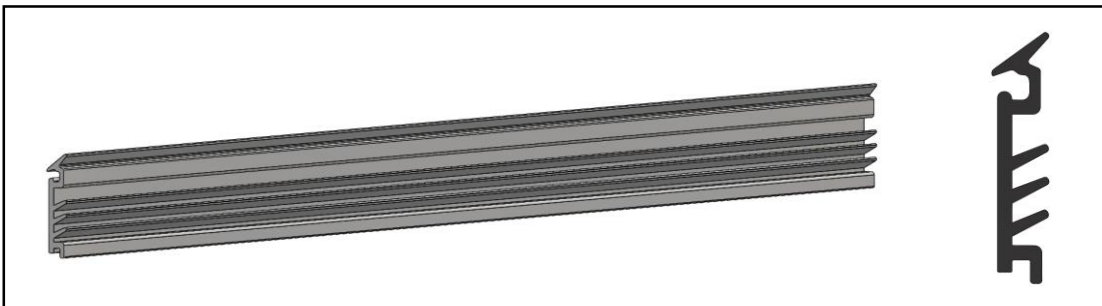


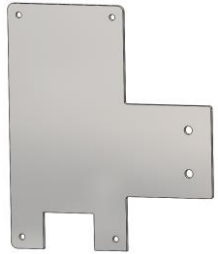




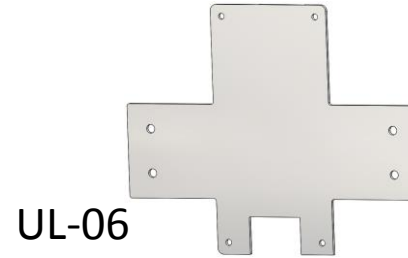
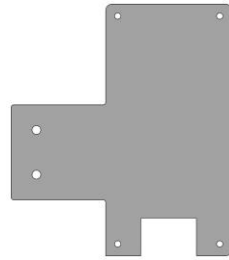


5

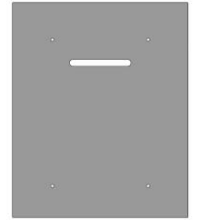




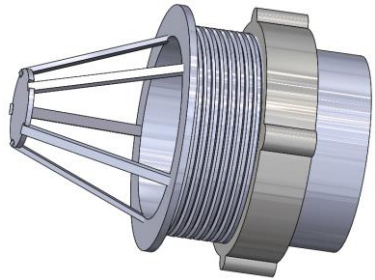
UL-04



UL-06



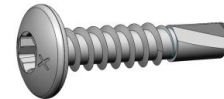
UL-02



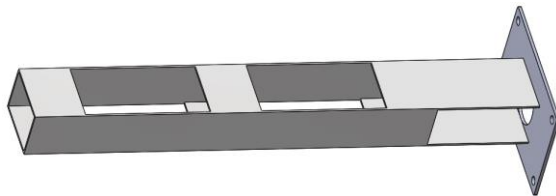
83 mm



0300 BI 6,3 x 25



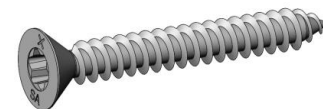
0303 BI 5,5 x 25



STL-06

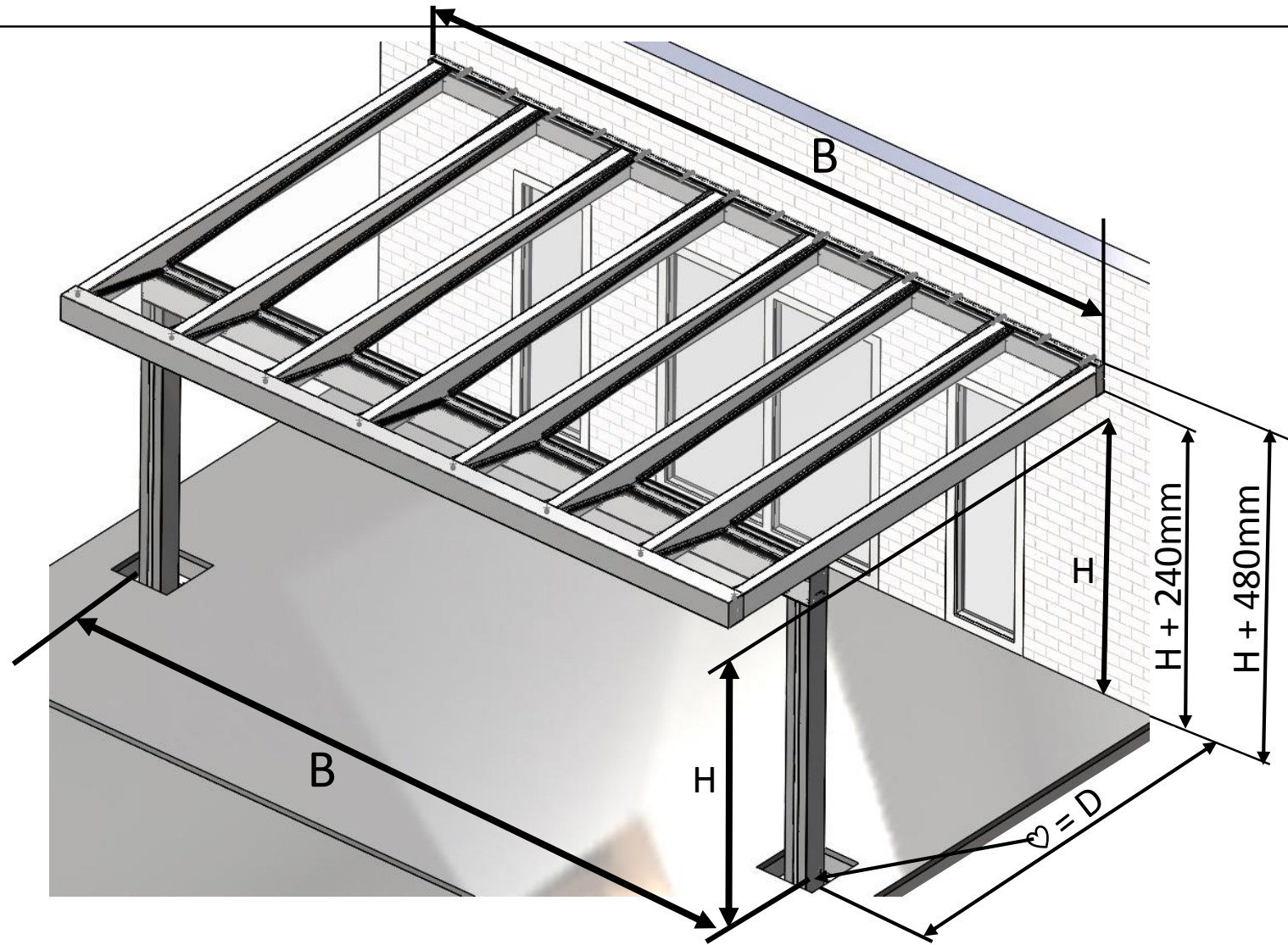


0385 SA 5,5 x 32

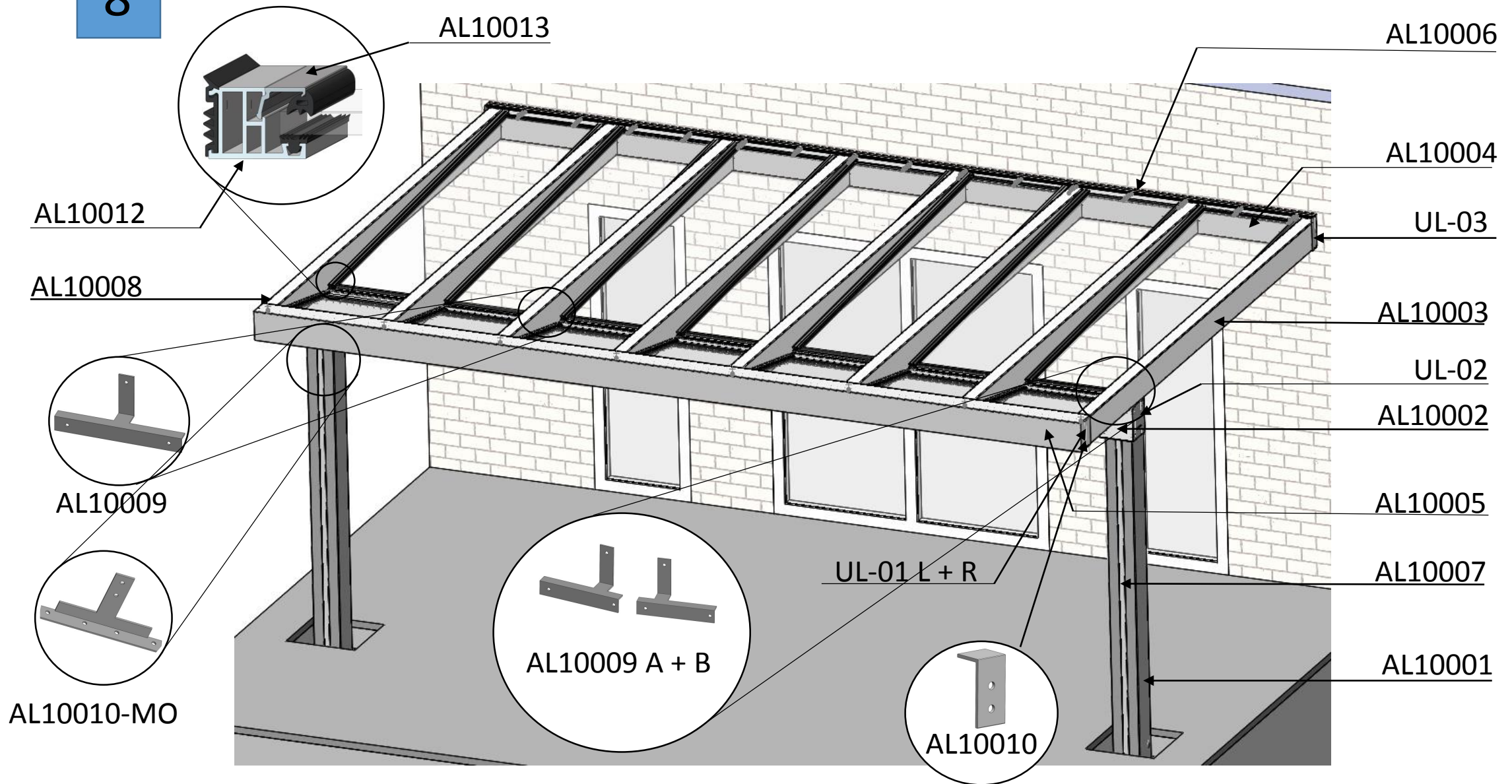


0390 SA 4,2 x 32

7



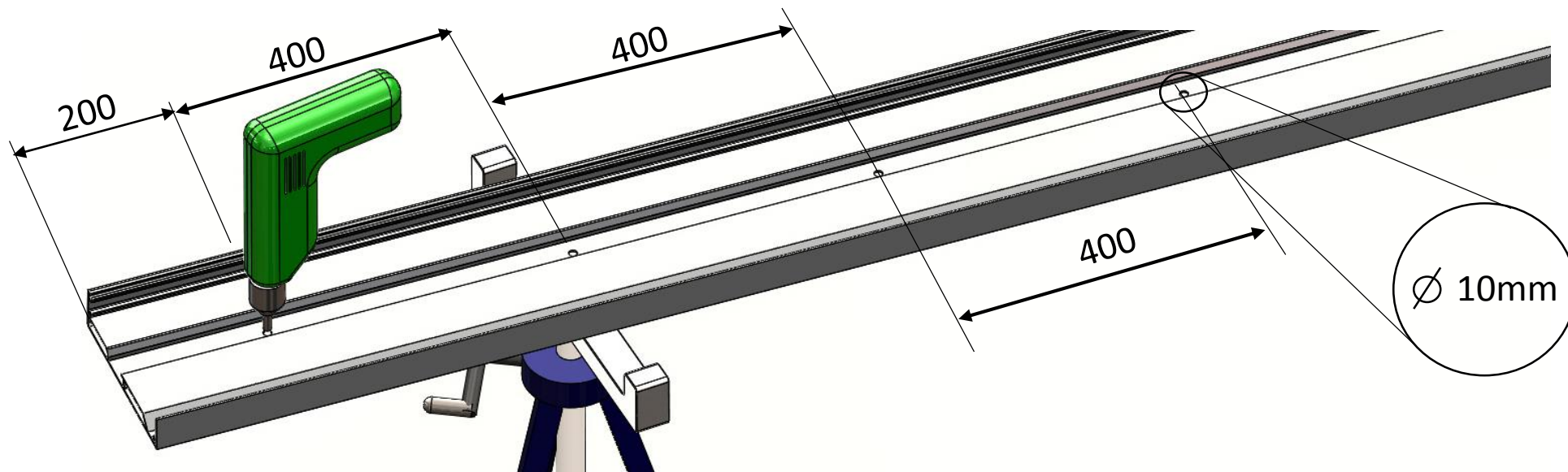
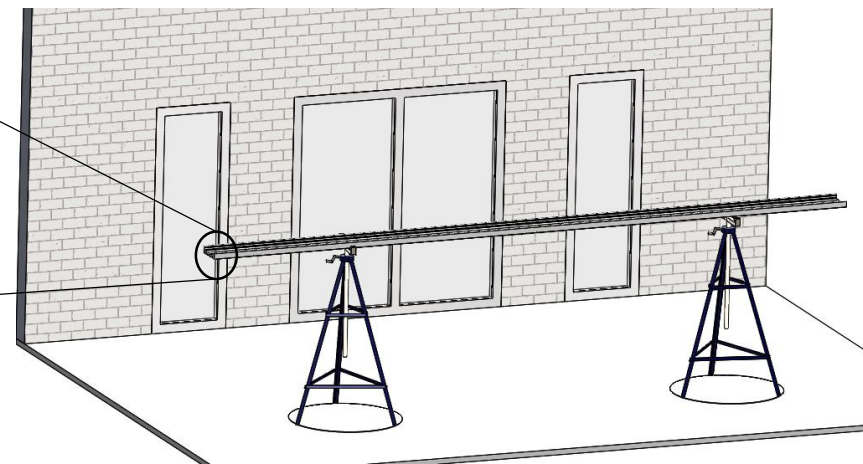
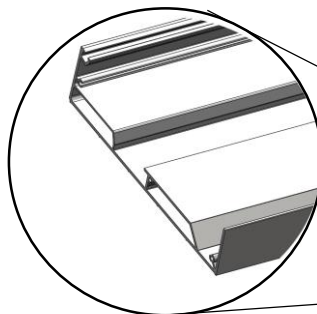
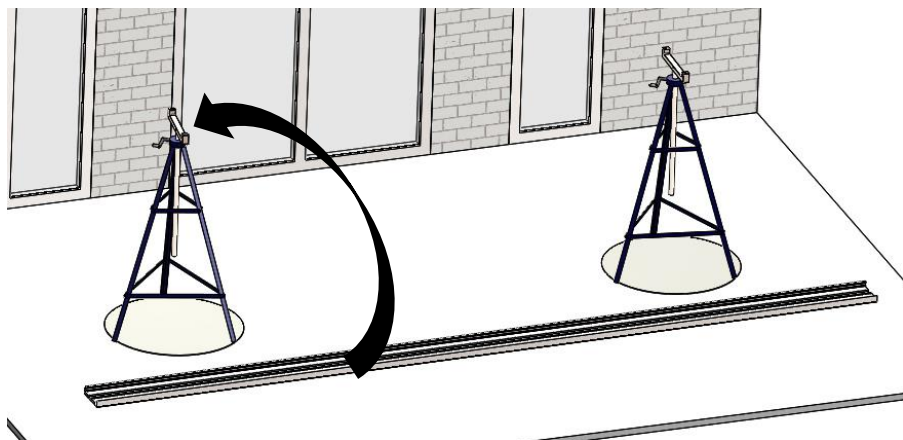
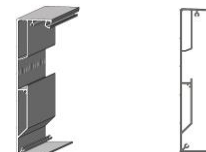
8





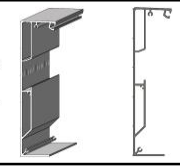
9

1 x 10006



10

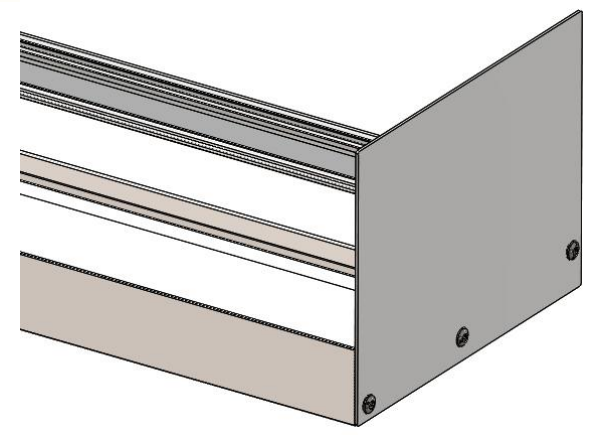
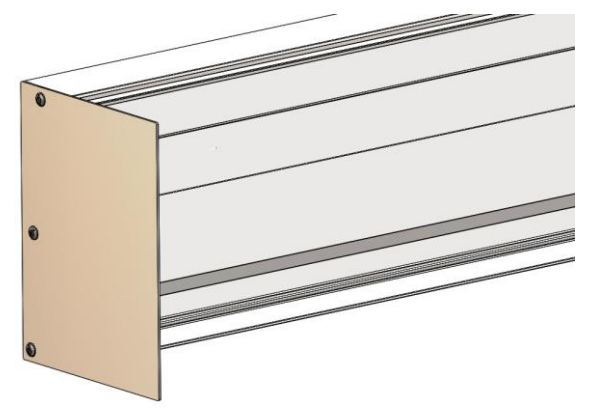
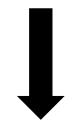
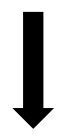
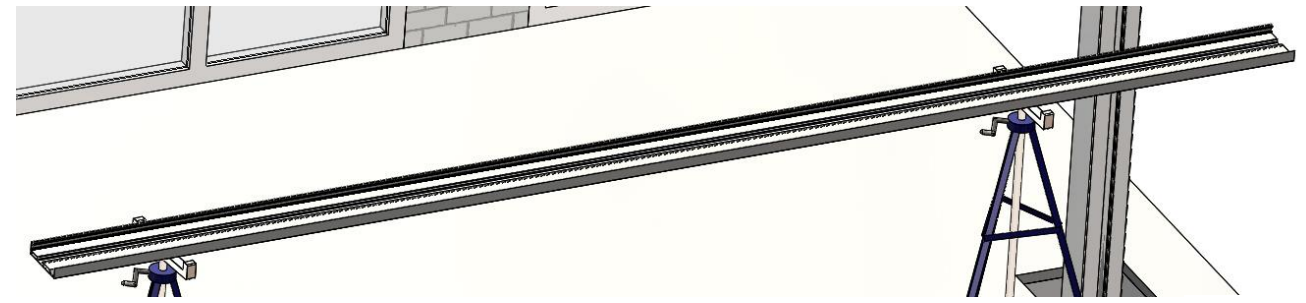
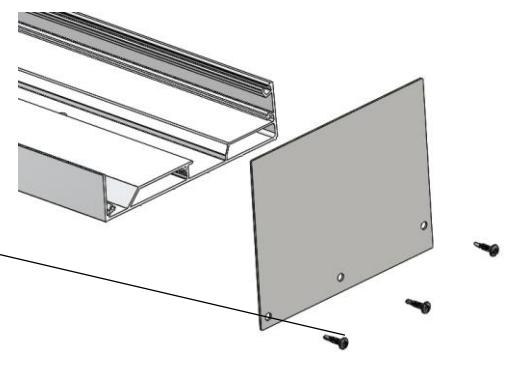
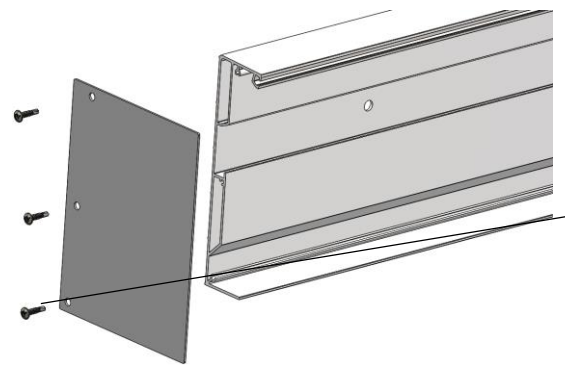
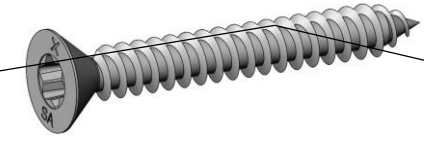
1 x 10006



2 x UL-03

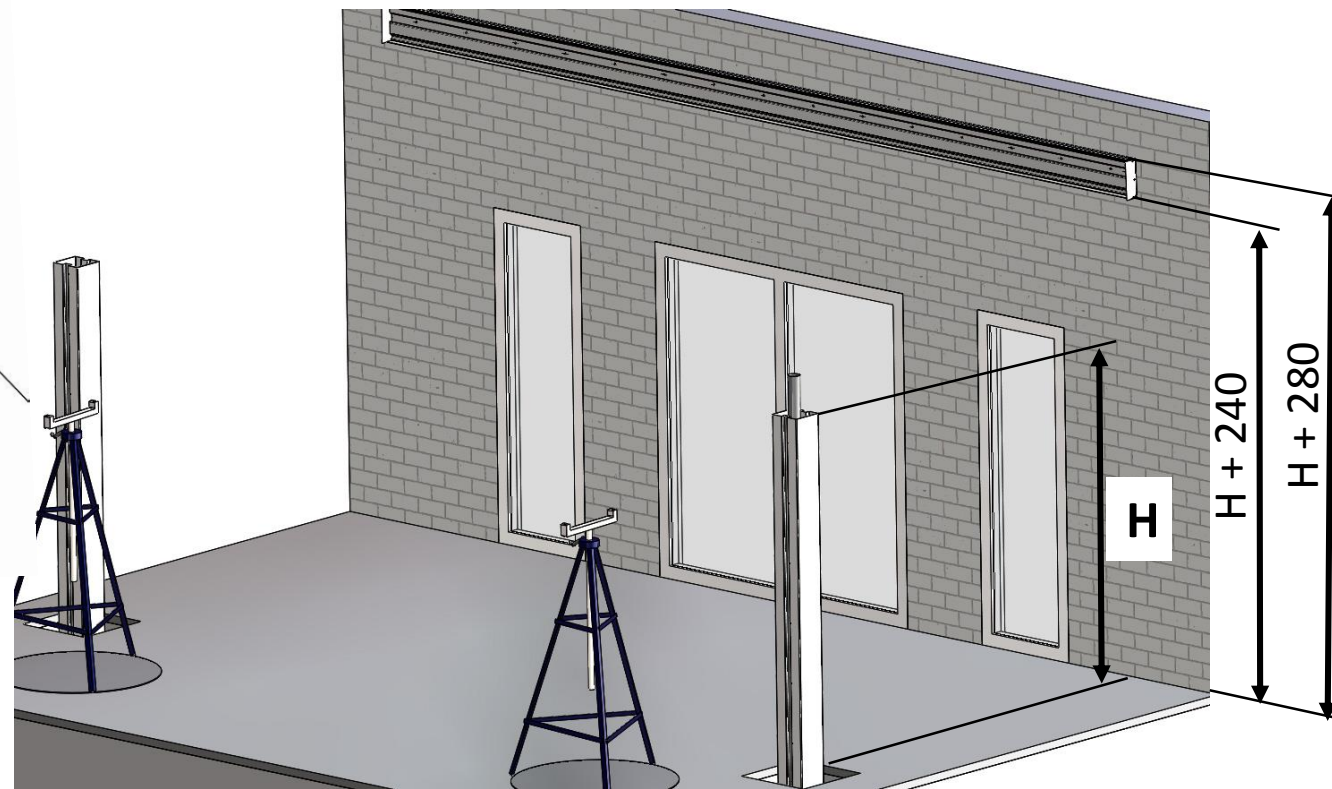
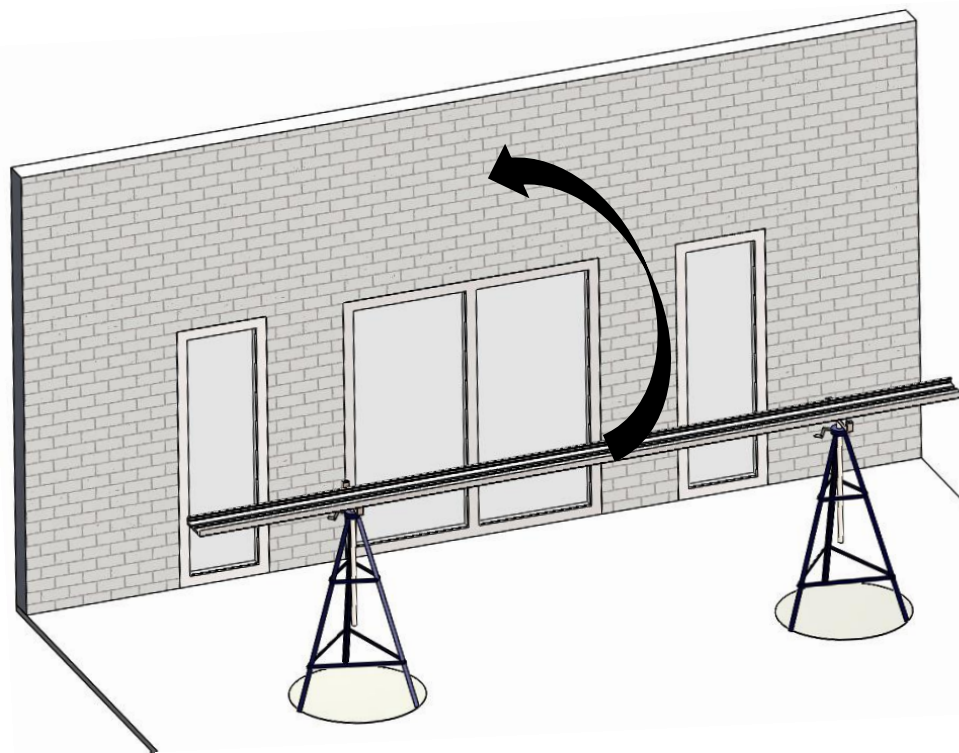
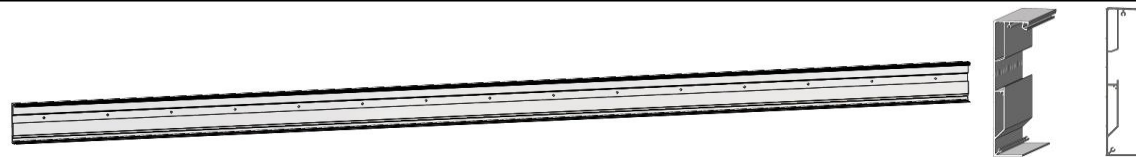


6 x 0390 SA 4,2 x 32

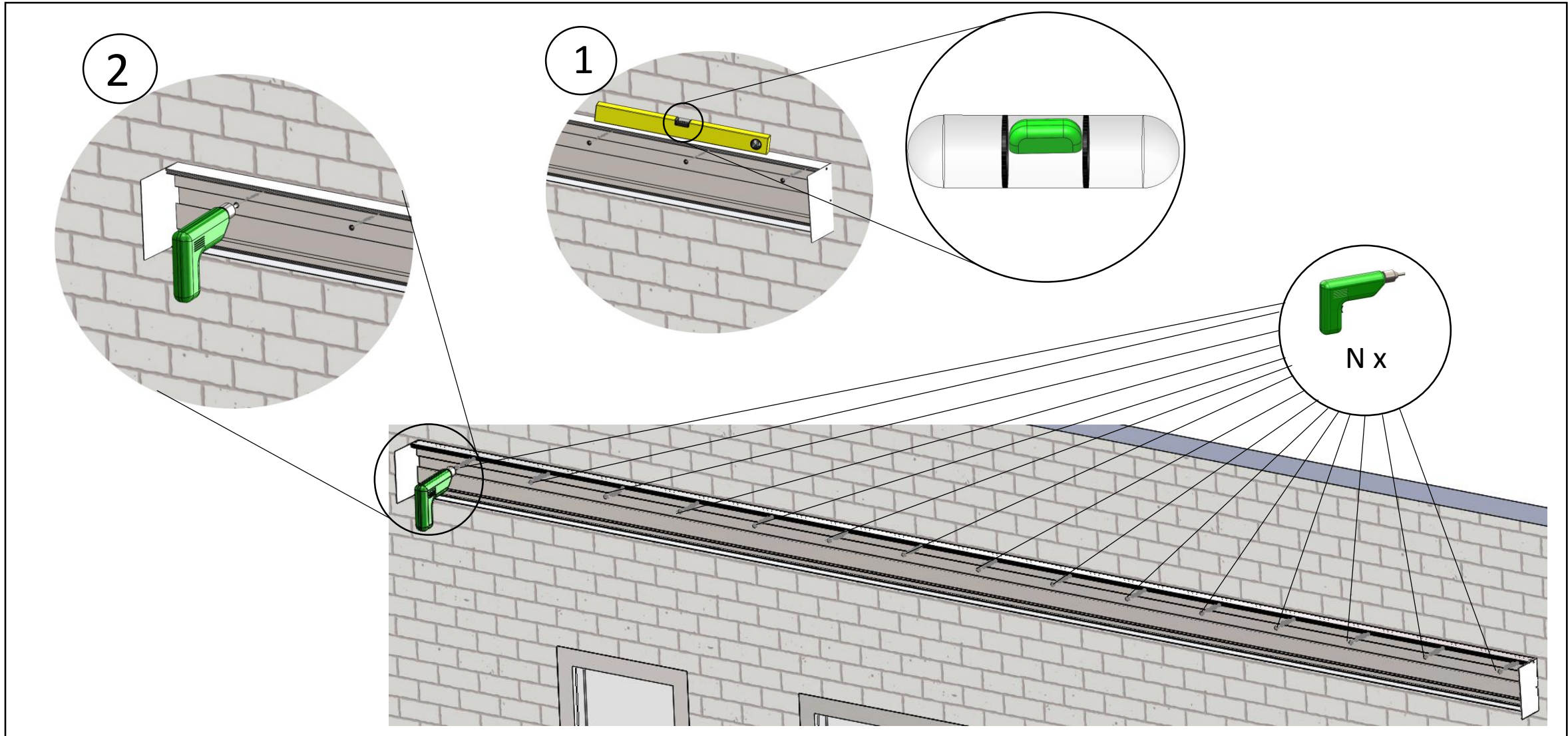


11

1 x 10006



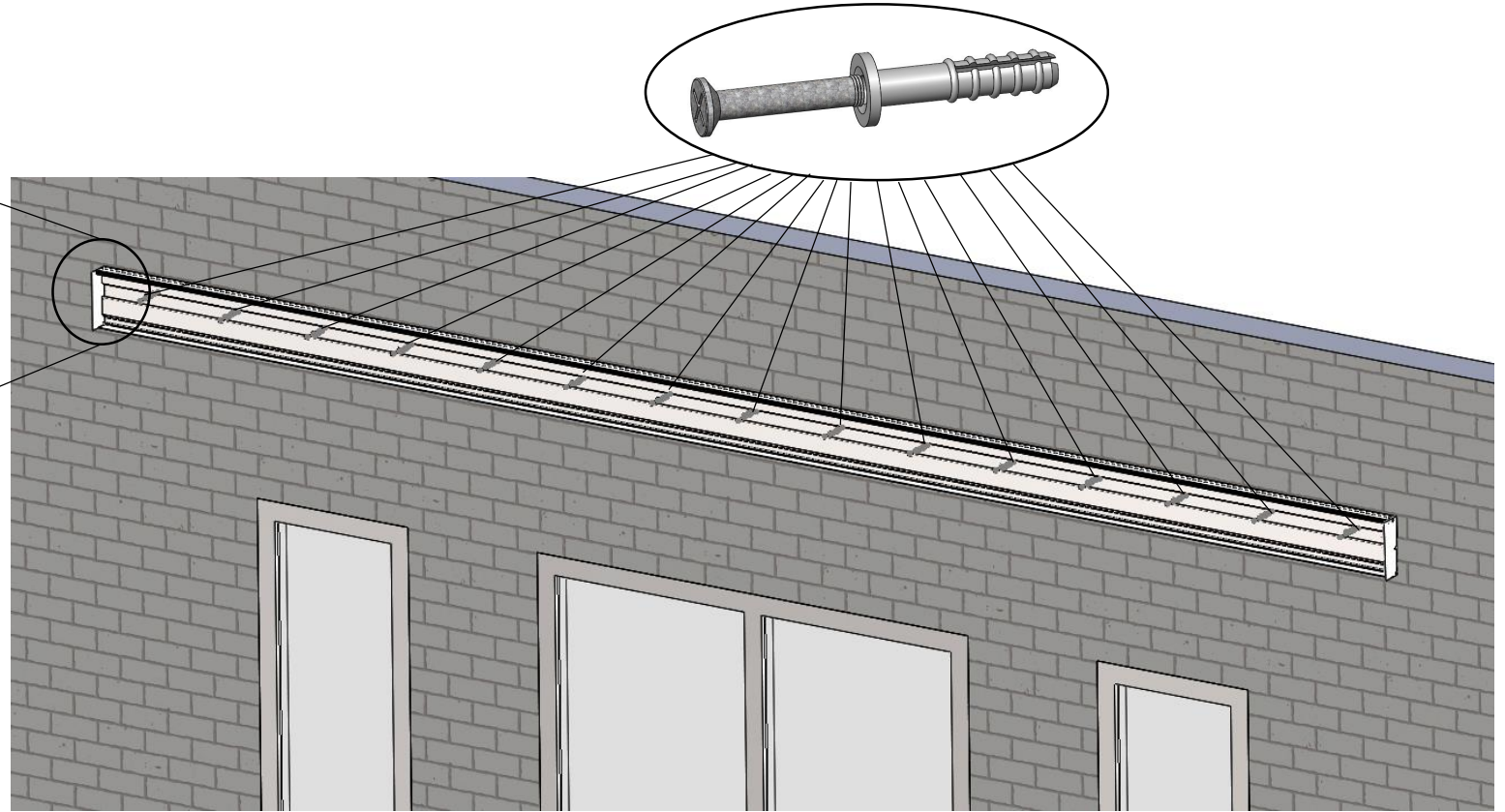
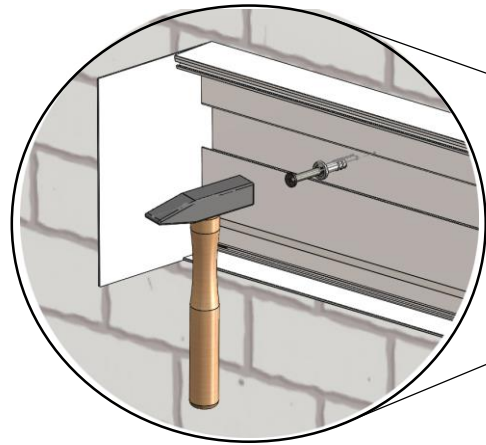
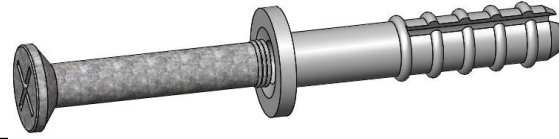




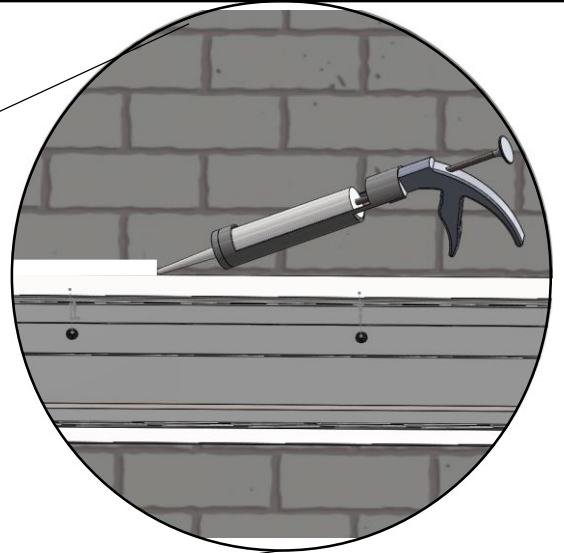
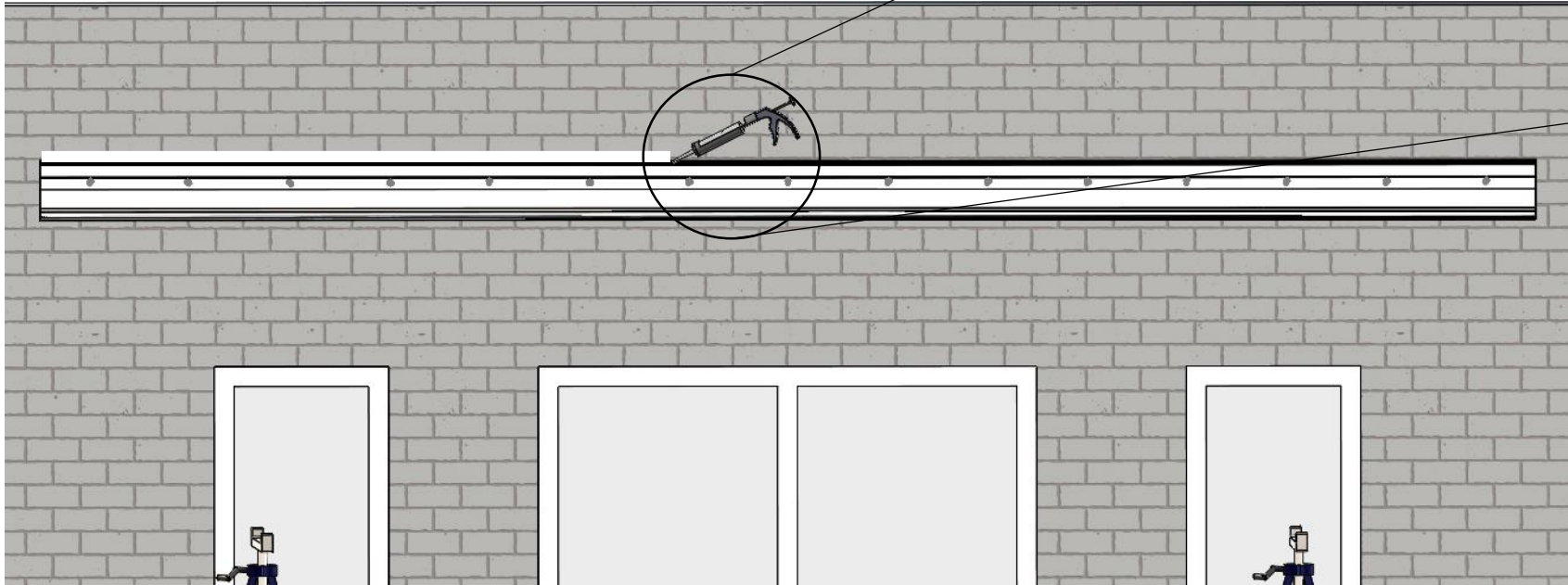


13

N x

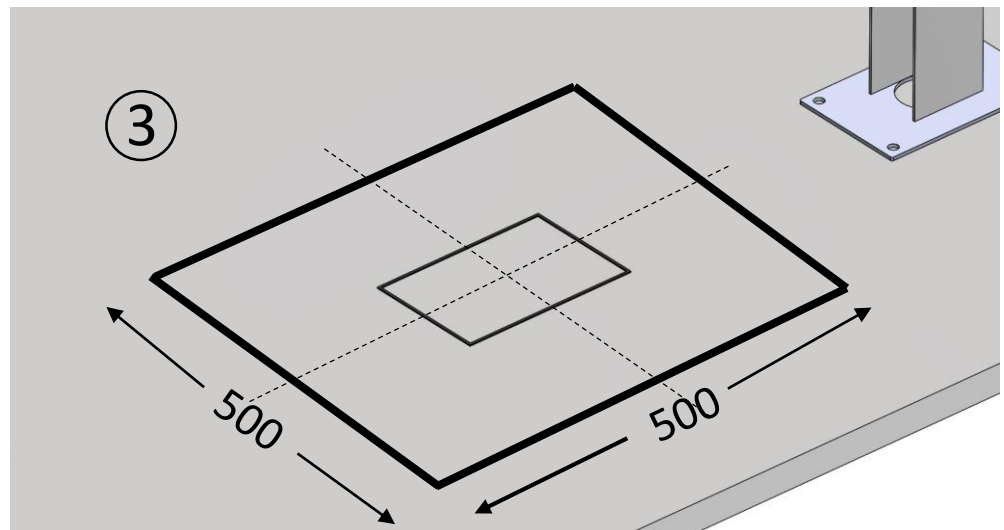
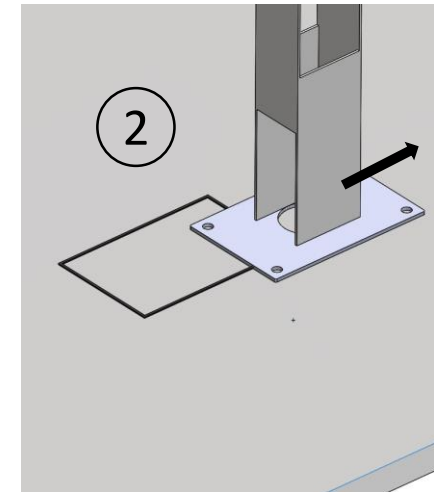
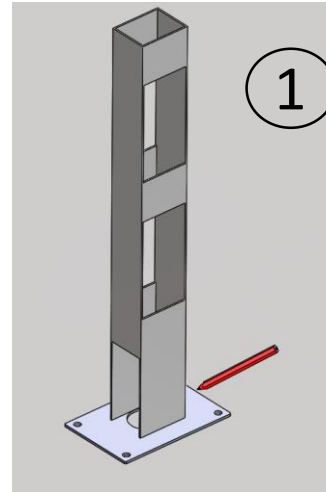
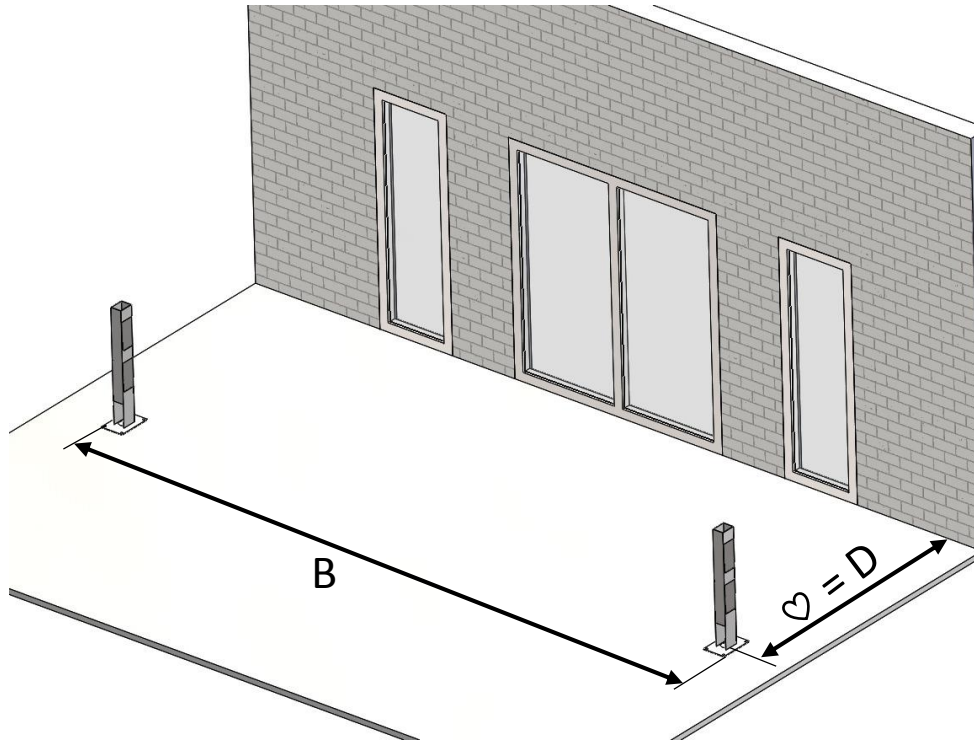
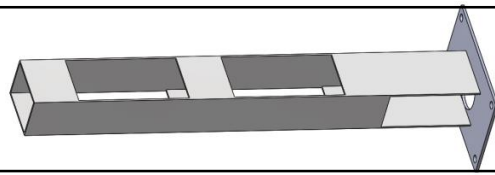


14



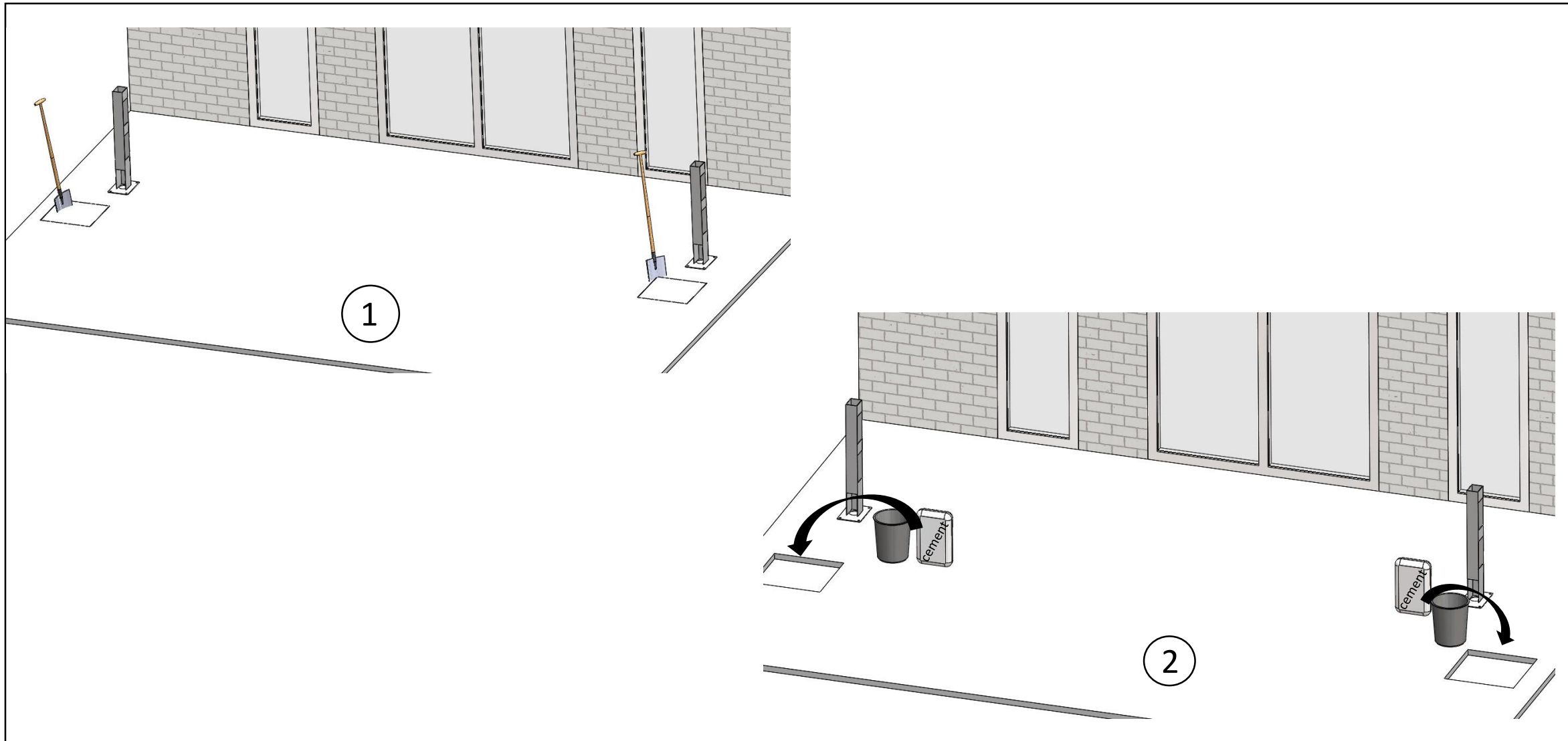
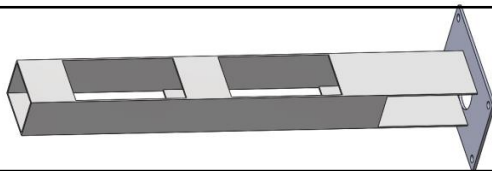
15

2 x



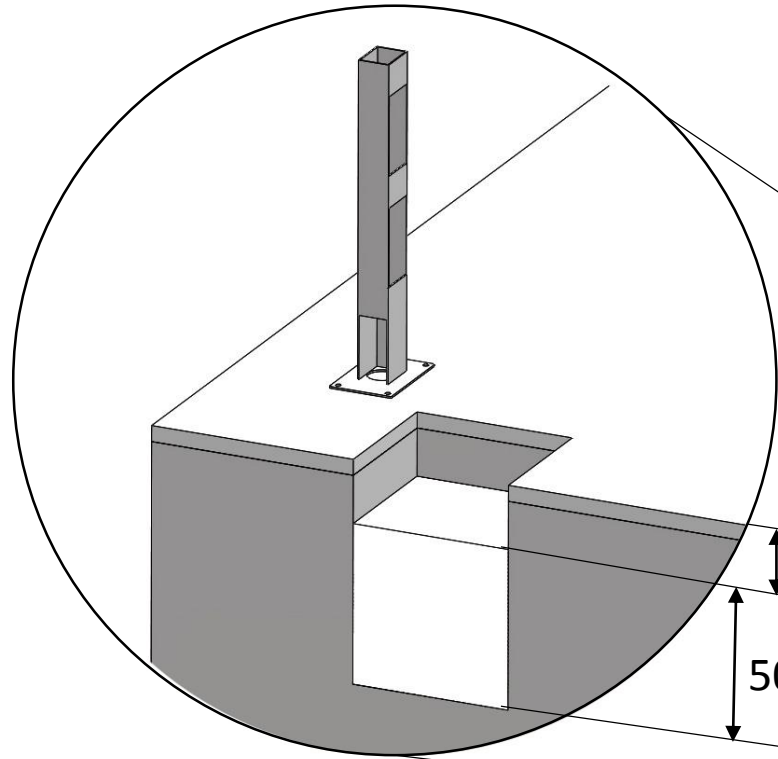
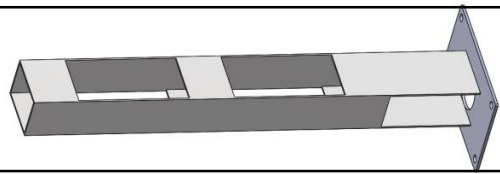
16

2 x

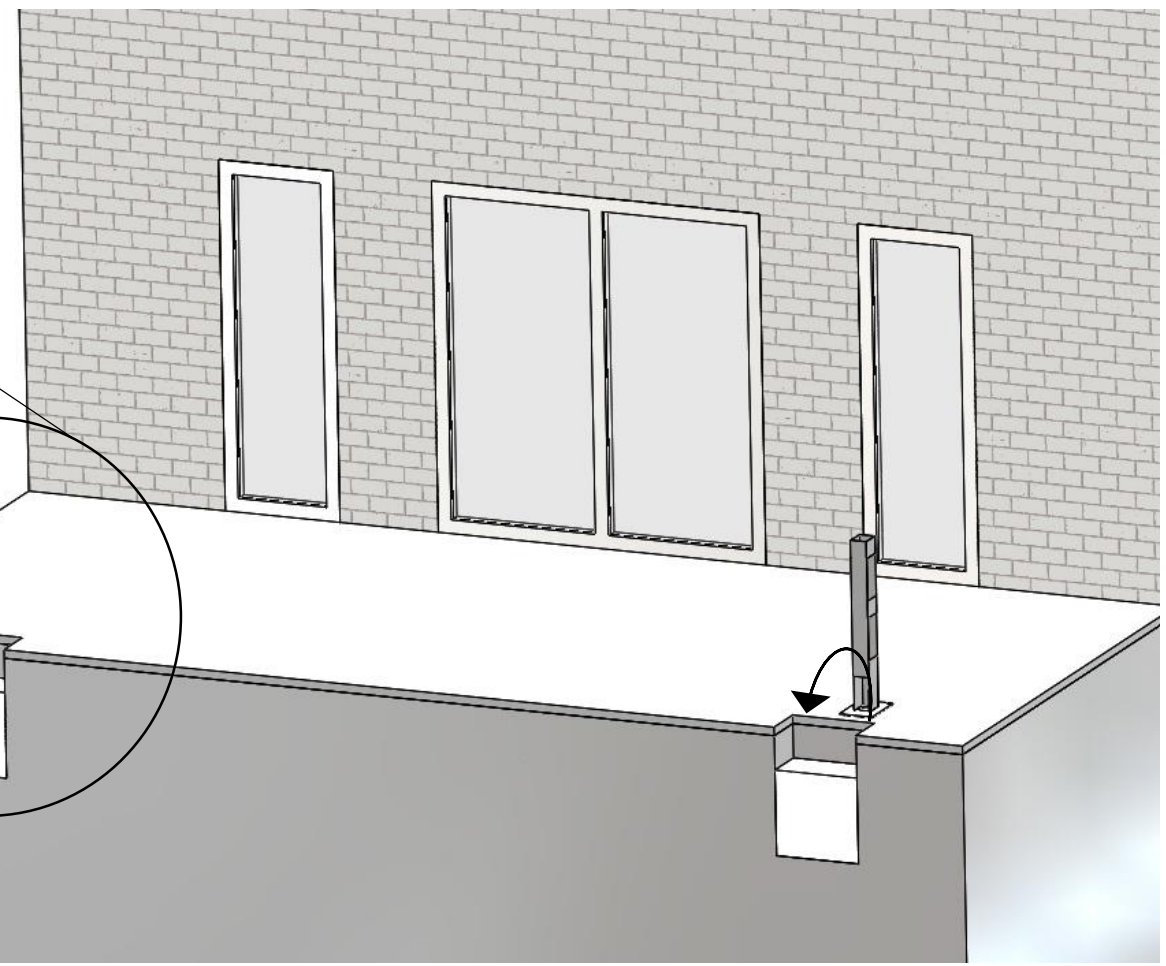
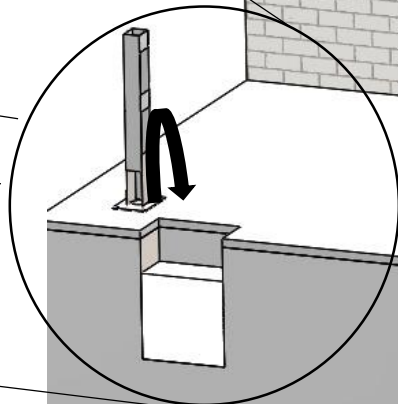


17

2 x



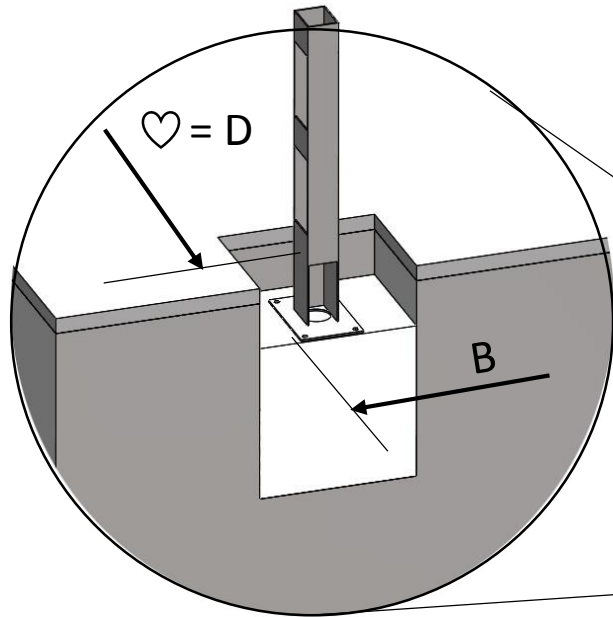
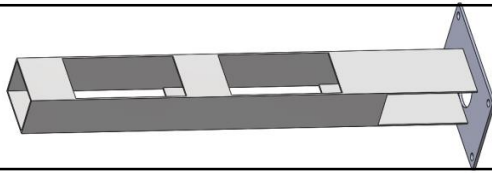
200  
500





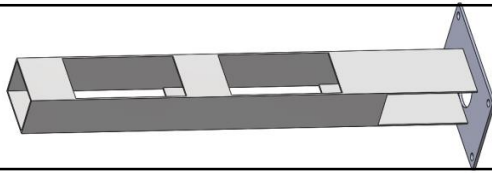
18

2 x

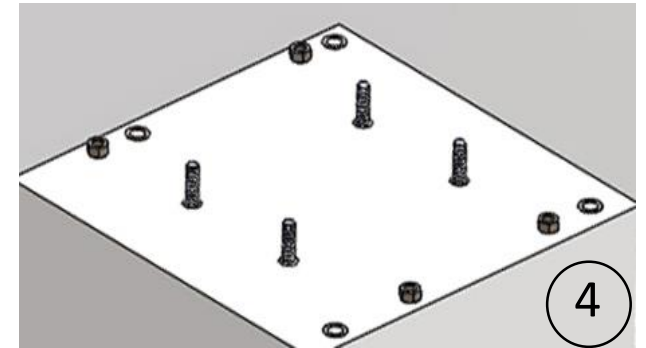
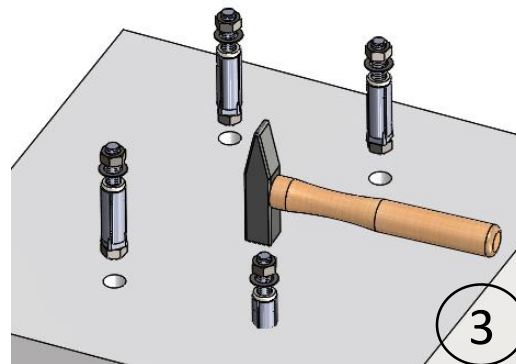
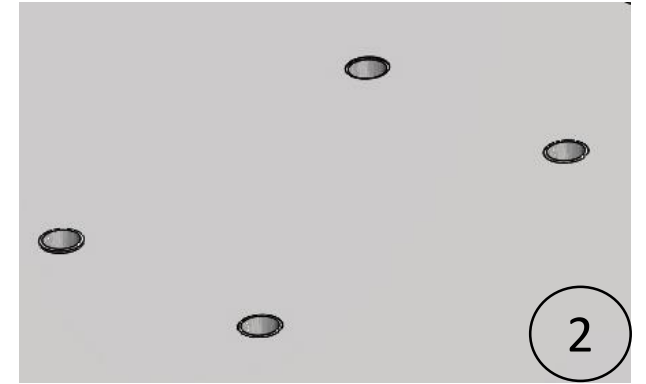
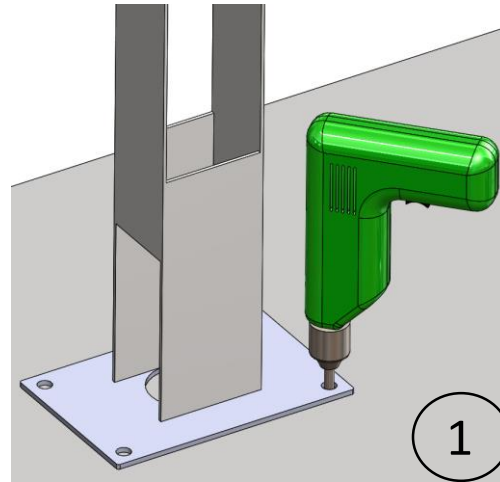
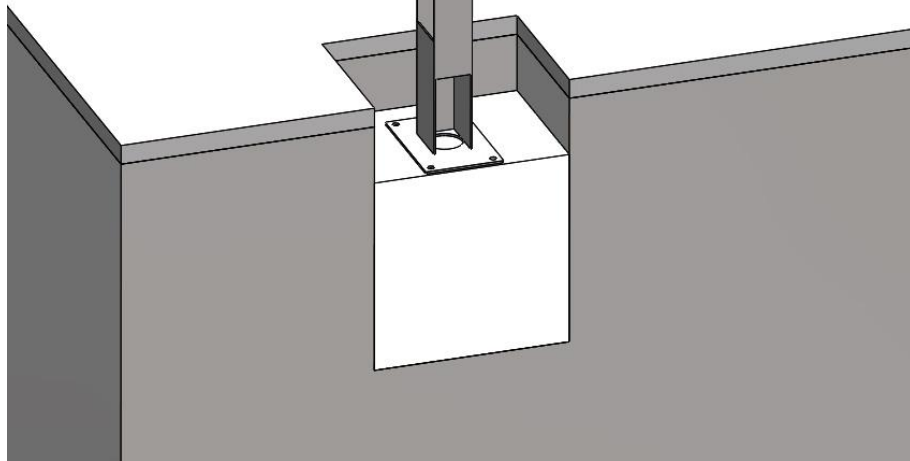
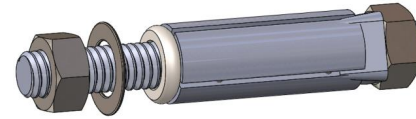


19

2 x

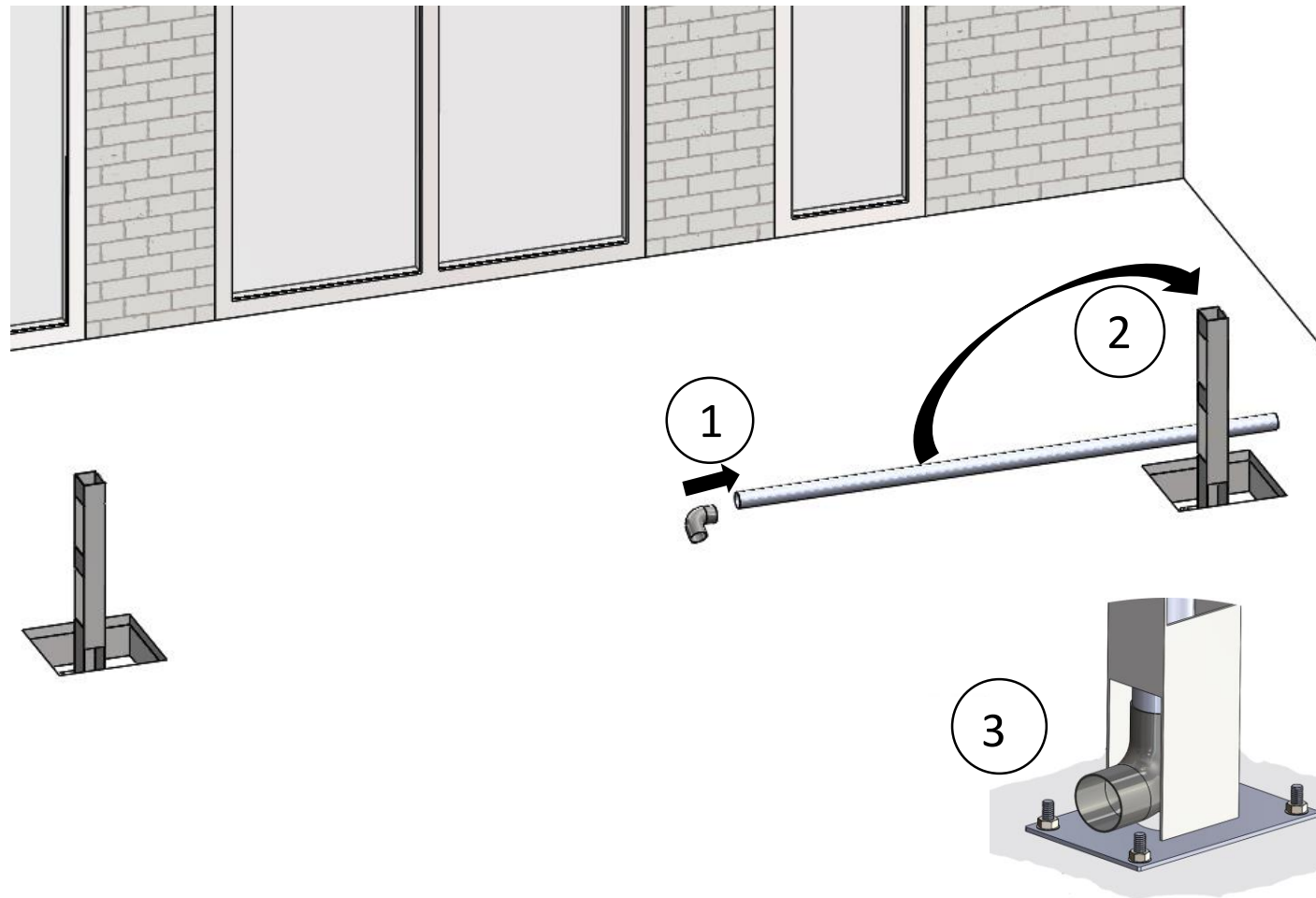
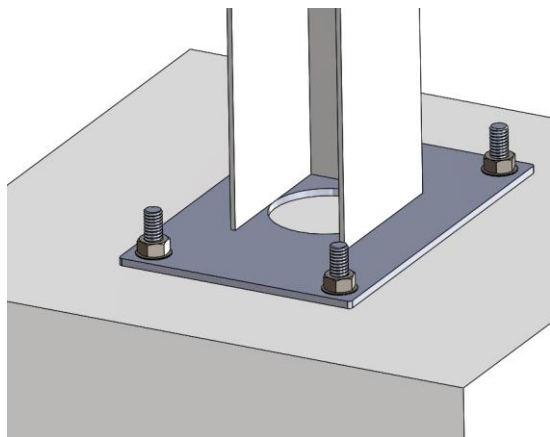
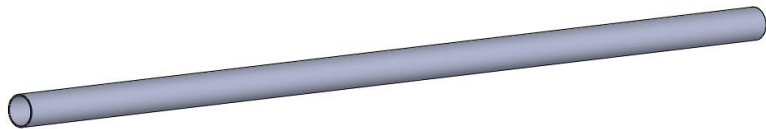


8 x



20

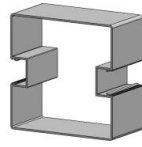
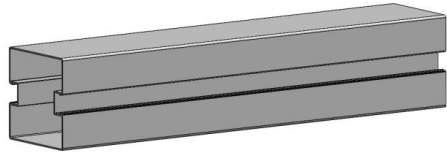
1 x



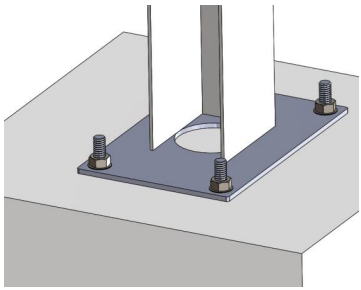


21

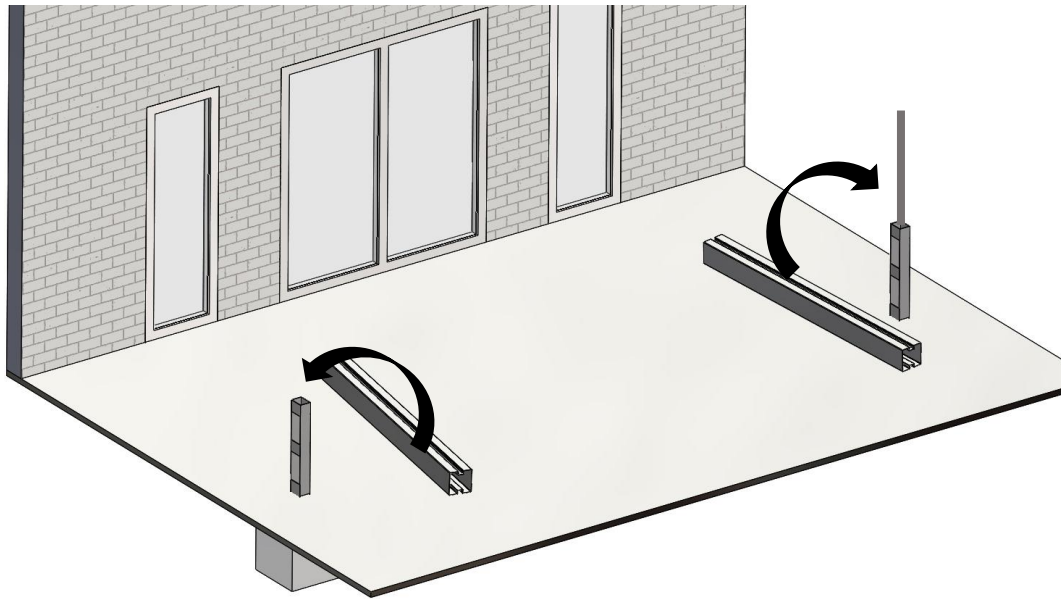
2 x



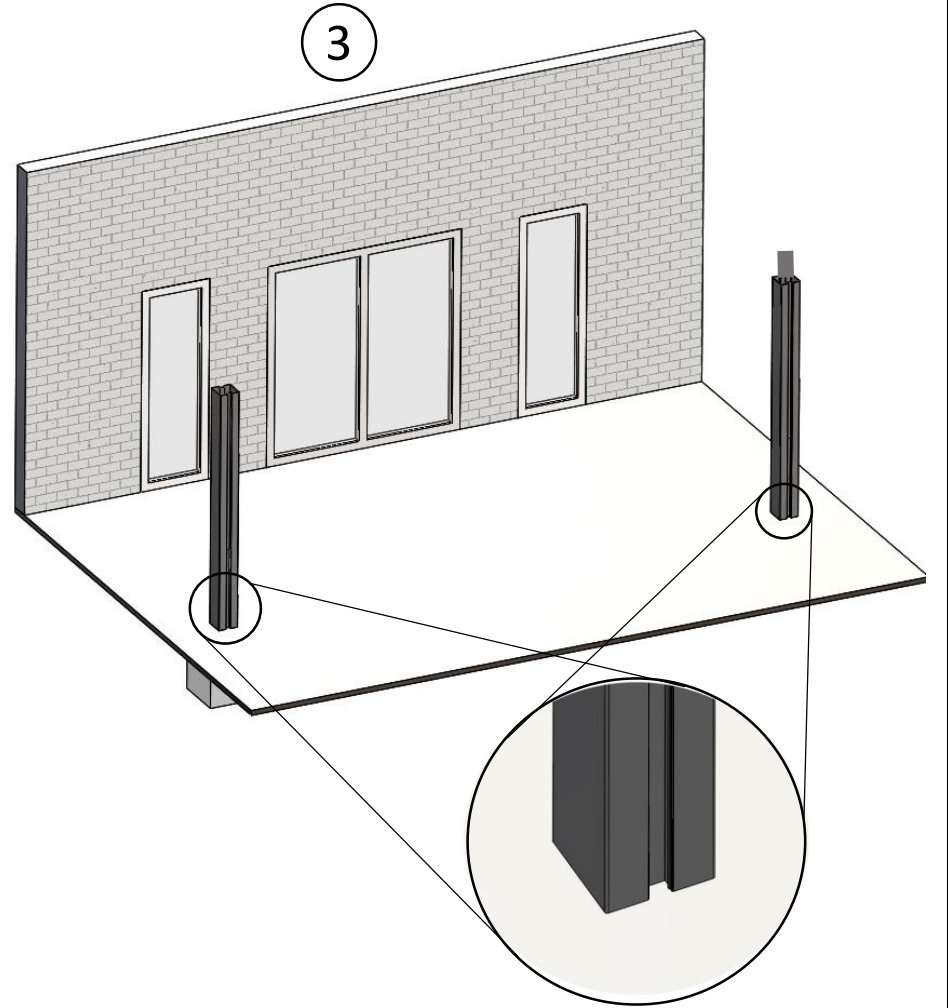
AL10001



1

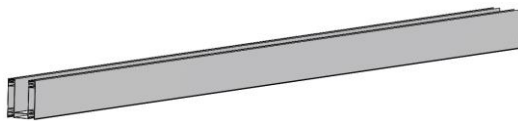


2

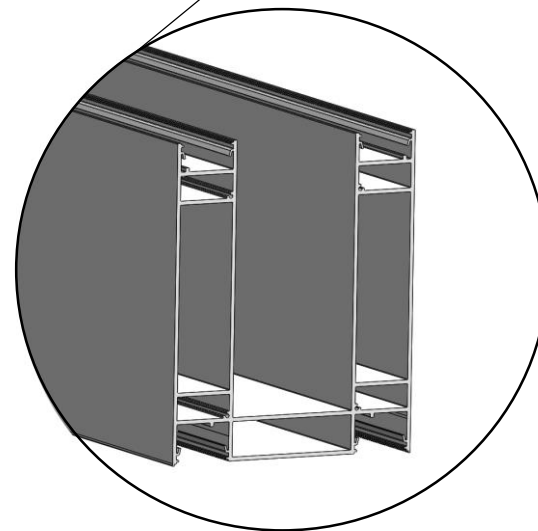
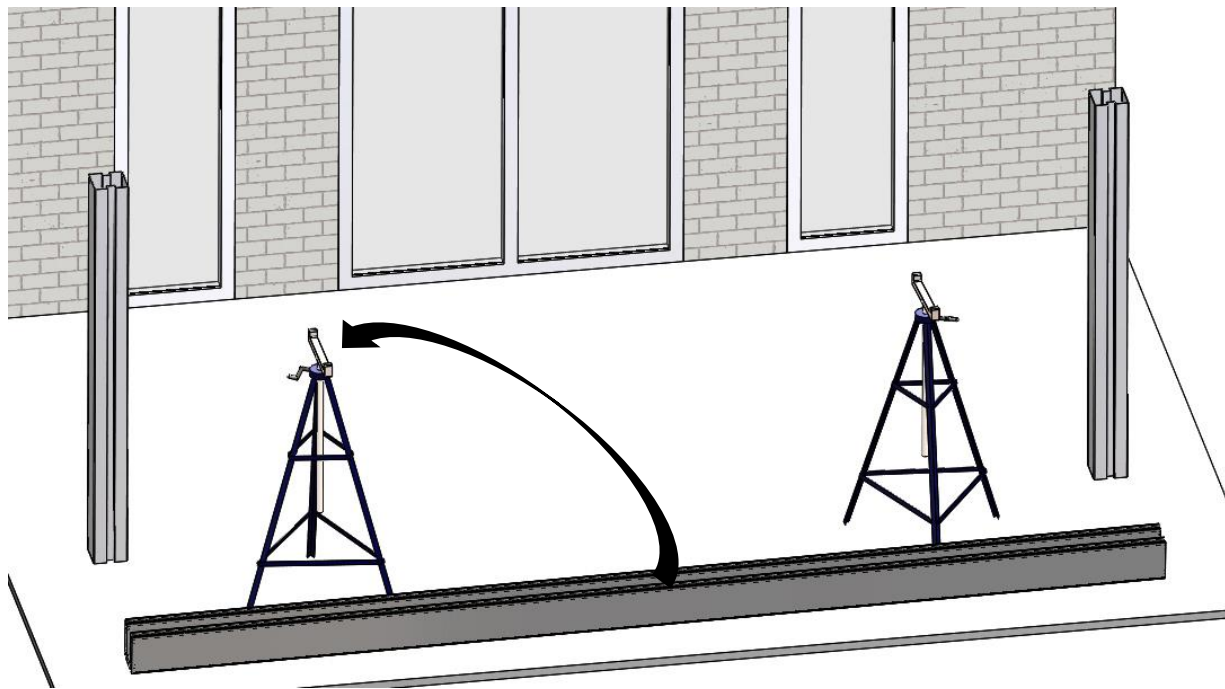


3

22

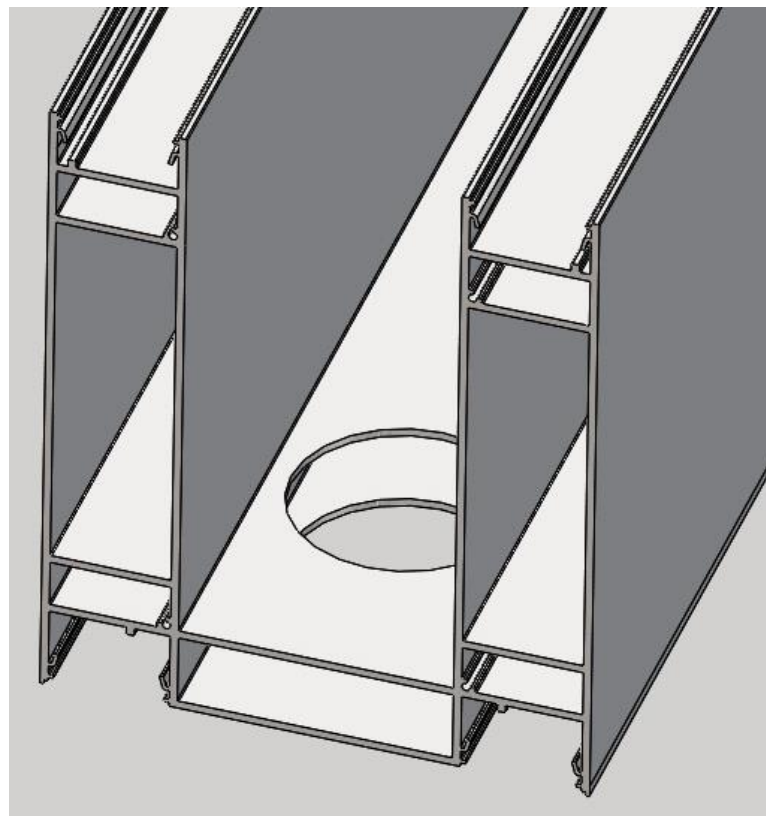
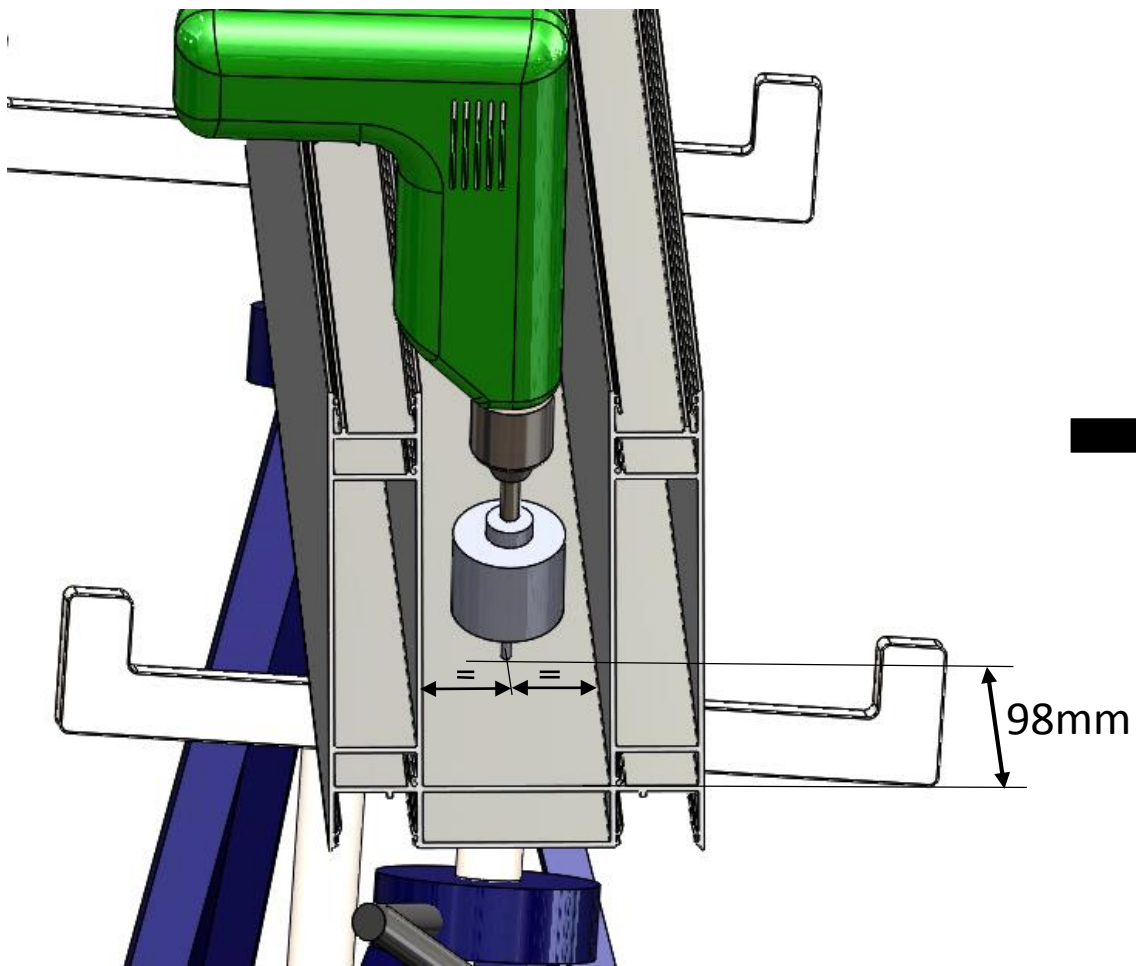
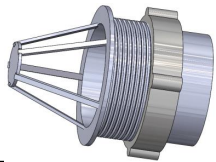


1 x AL10002



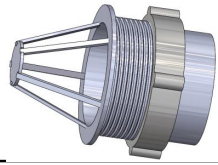
23

1 x

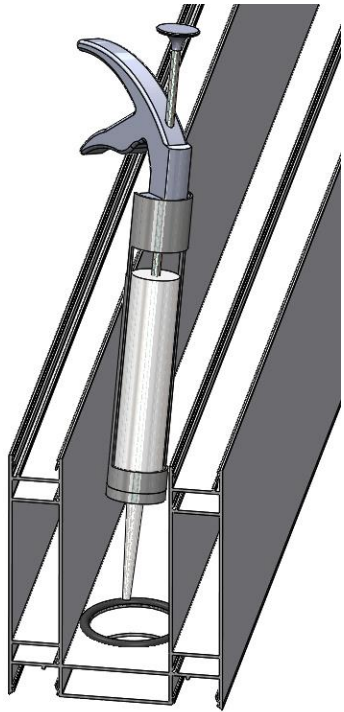


24

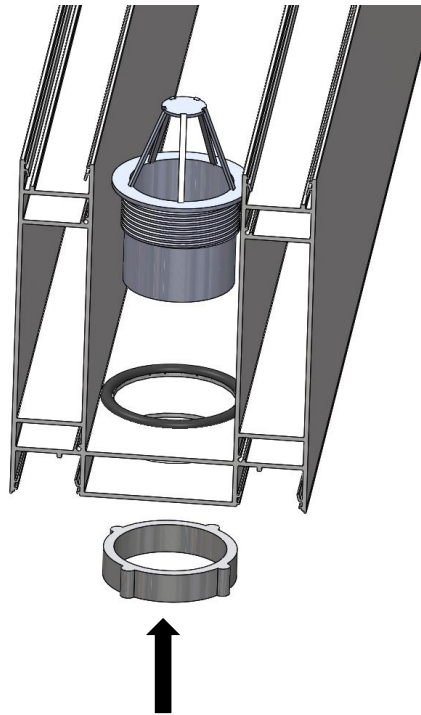
1 x



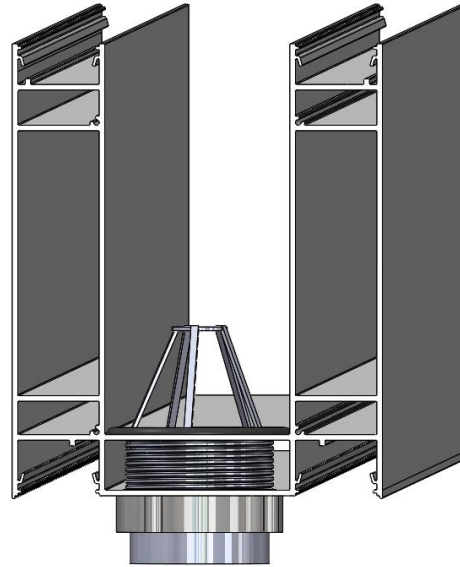
1



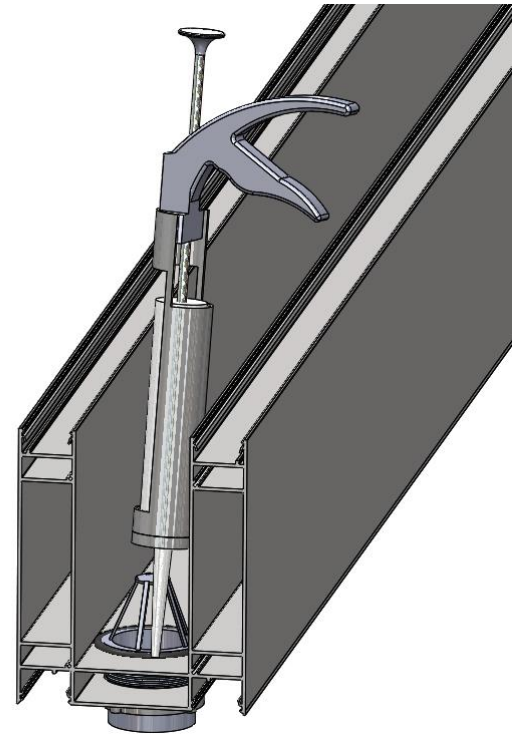
2



3



4

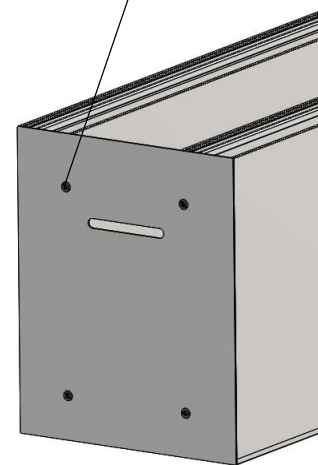
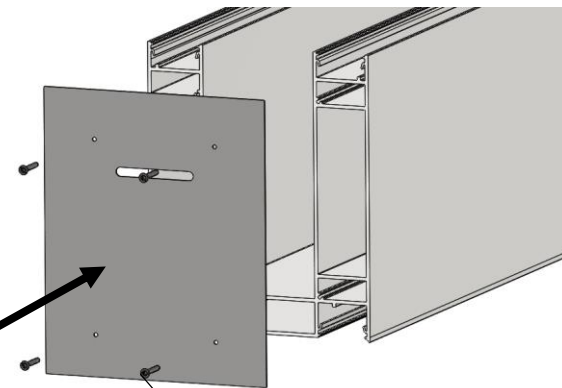
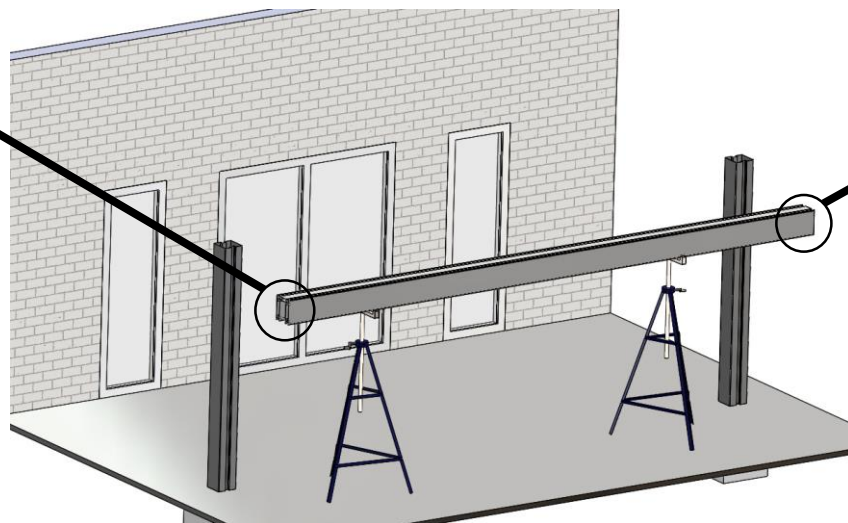
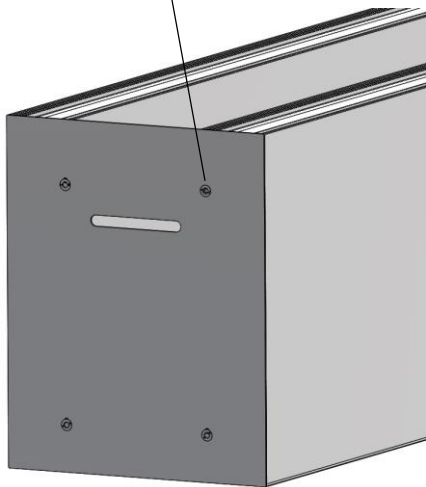
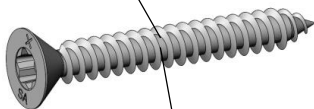
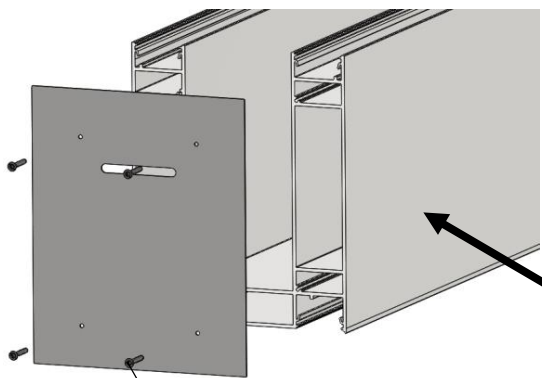
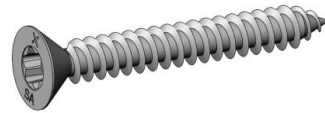


25

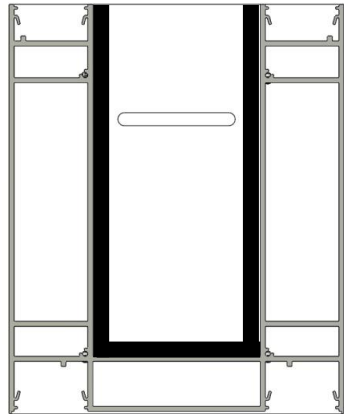
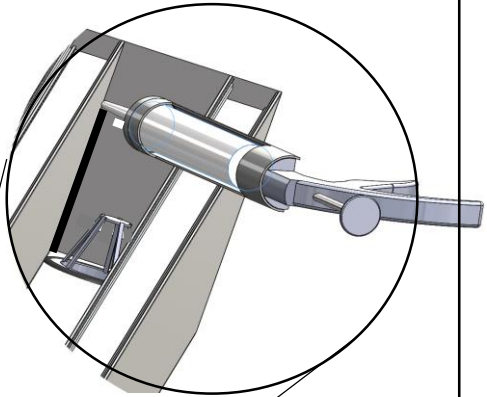
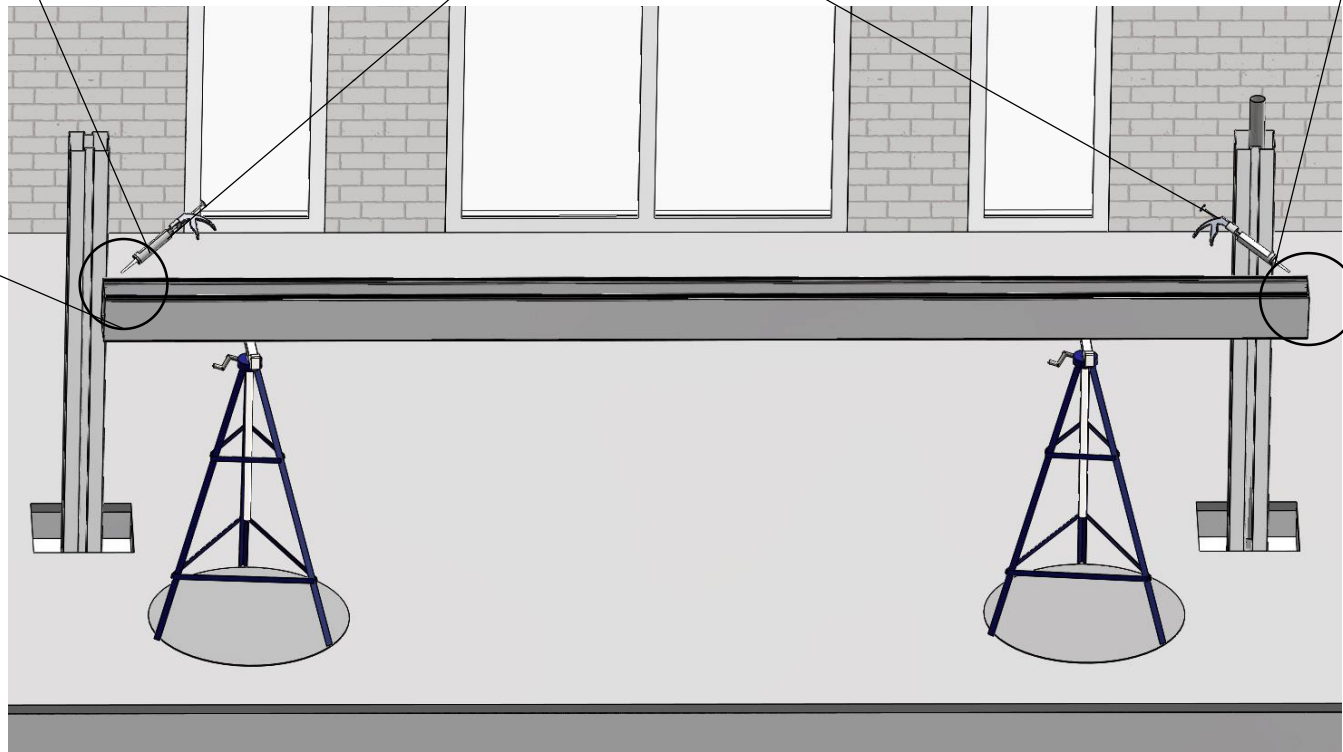
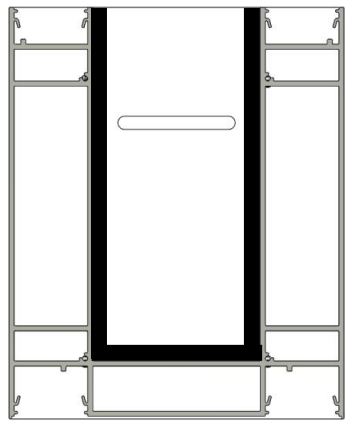
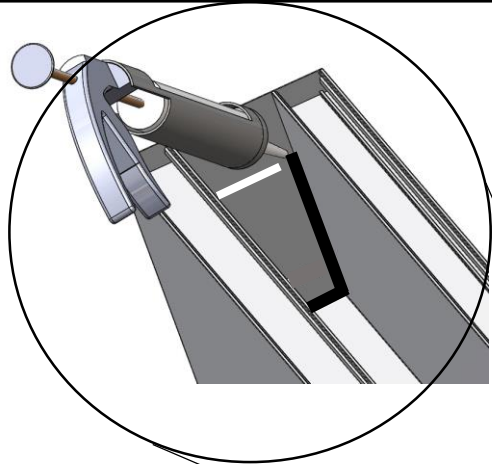
2 x UL-02

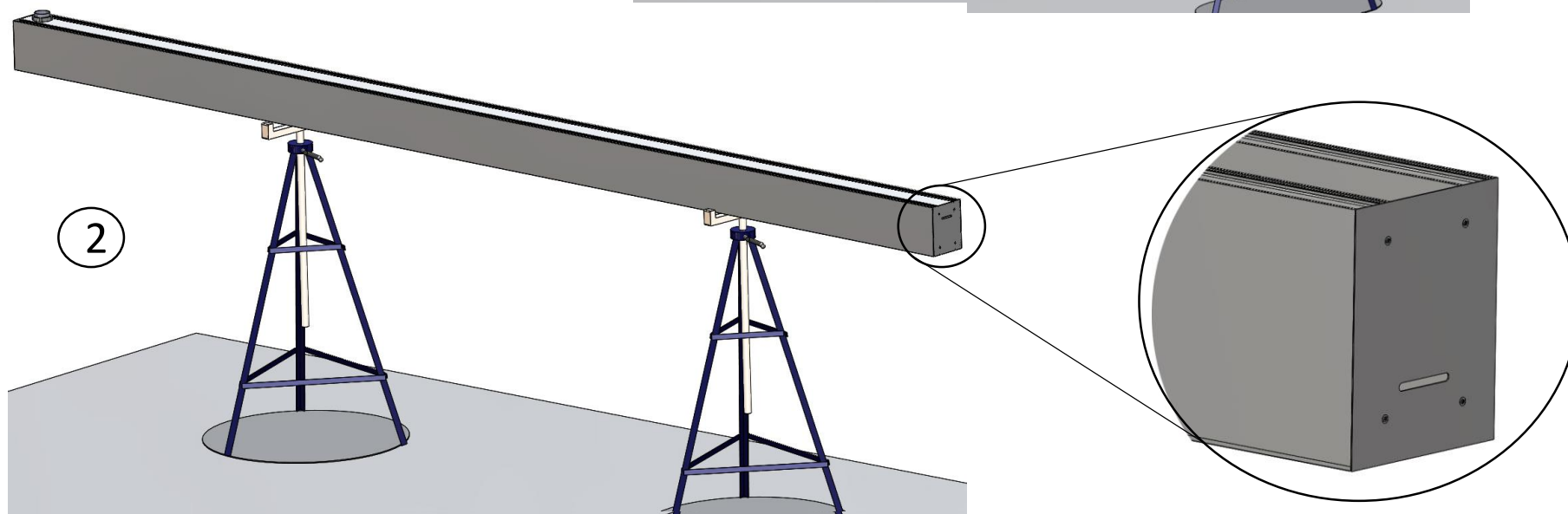
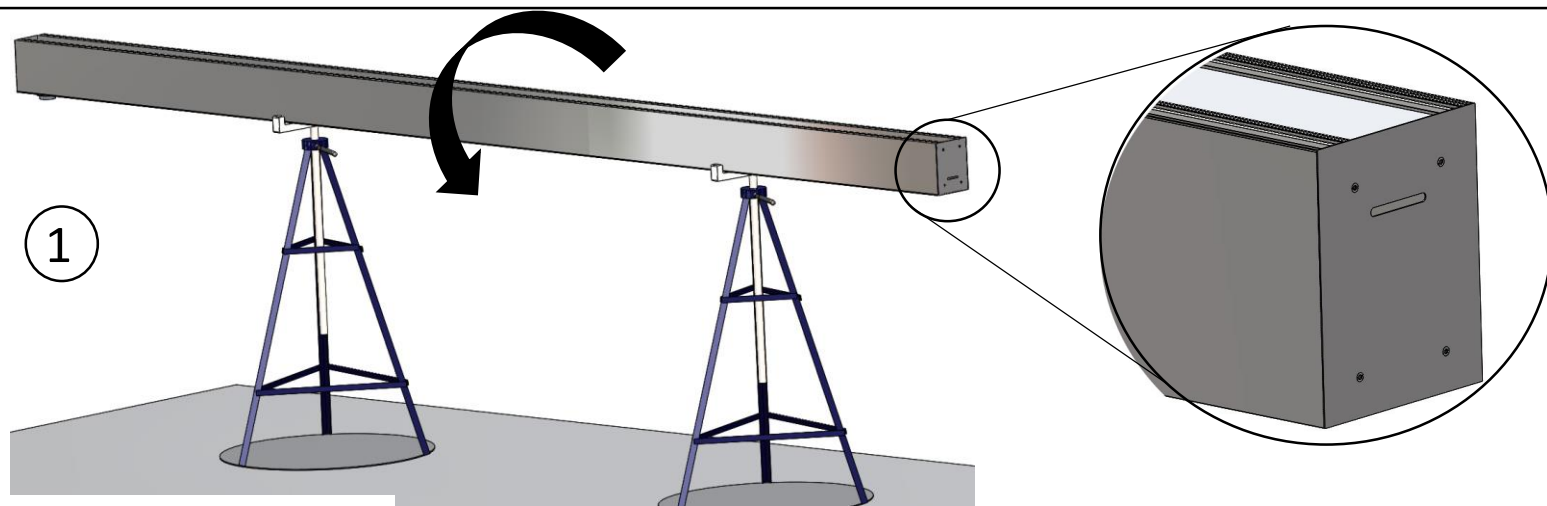


8 x 0390 SA 4,2 x 32



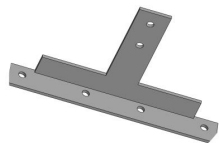






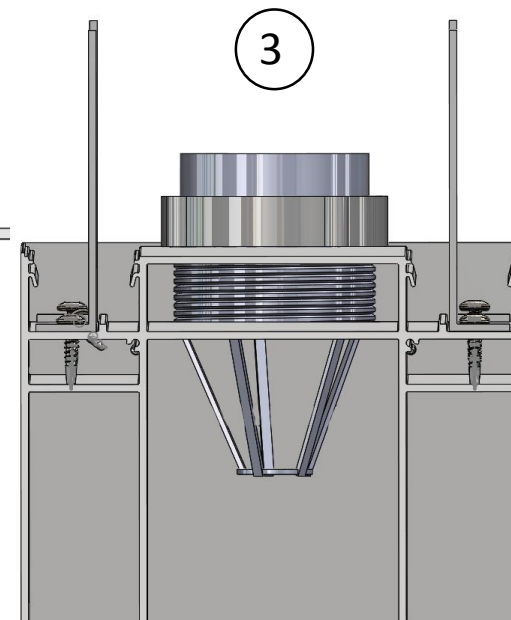
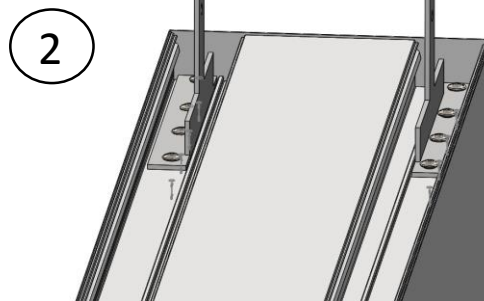
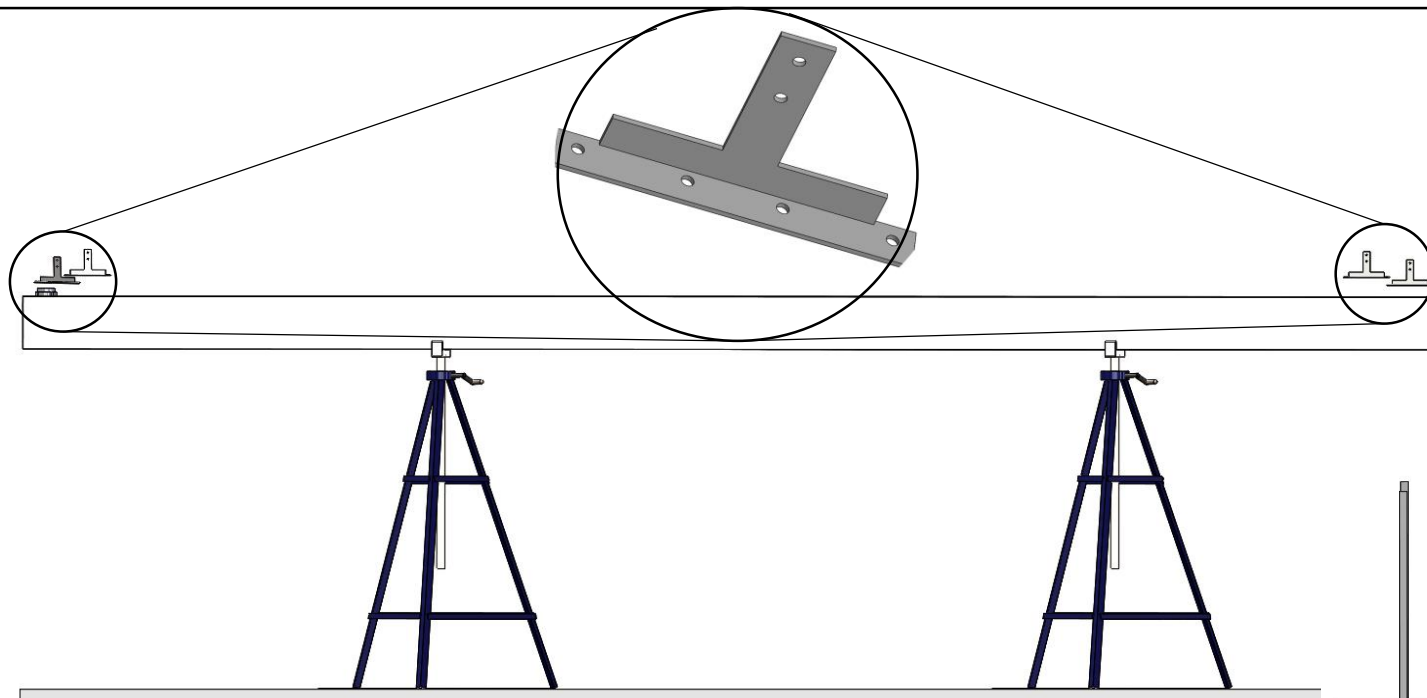
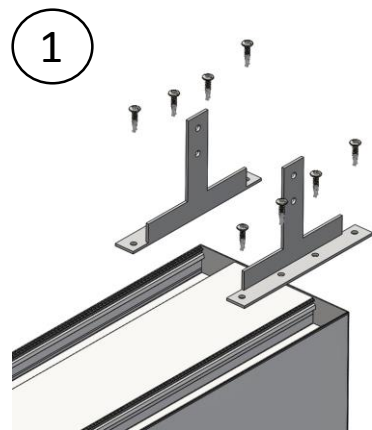
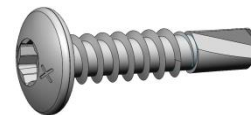
28

4 x



AL10010

16 x

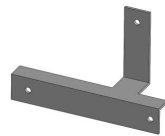




29

AL10009A en AL10009B

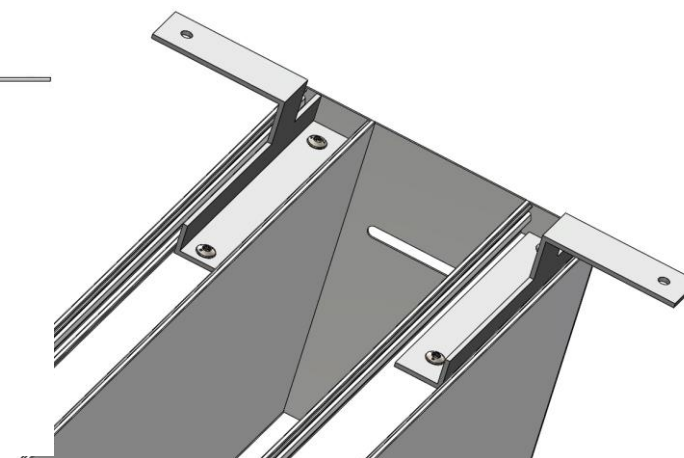
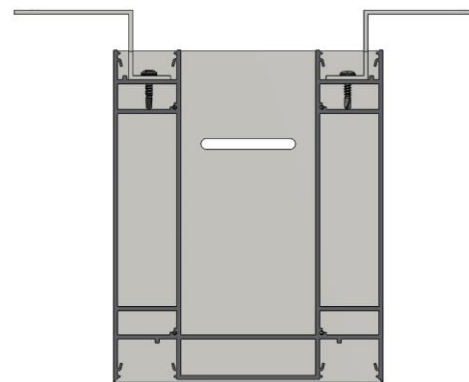
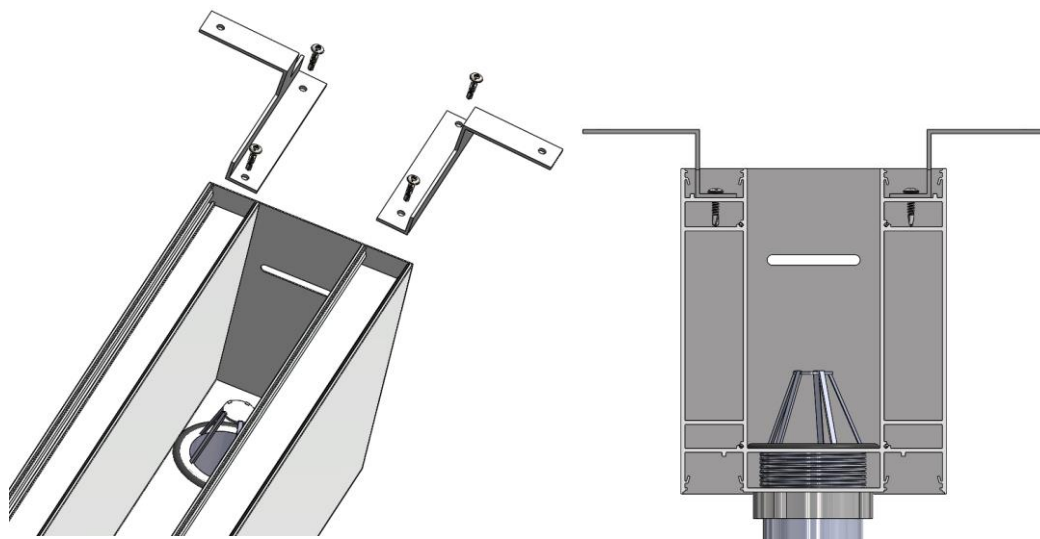
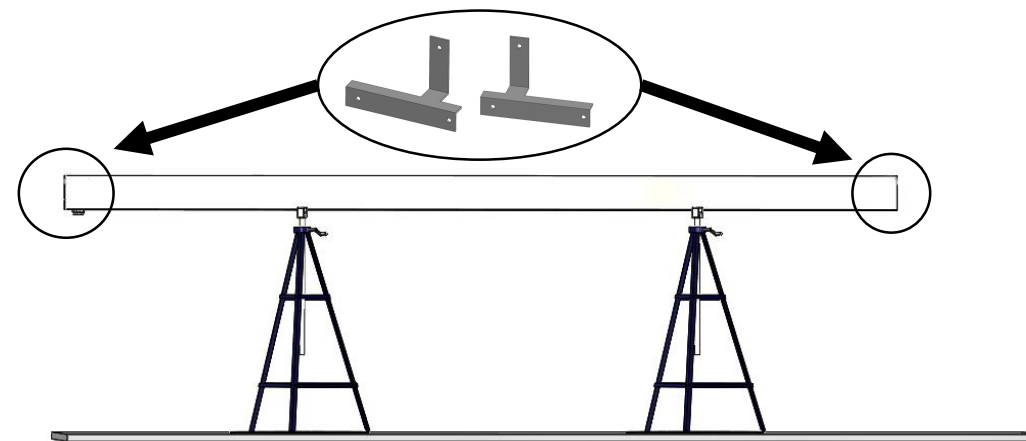
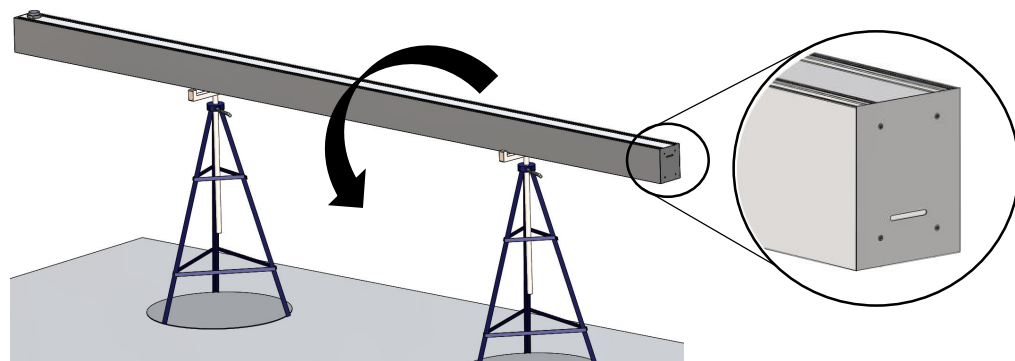
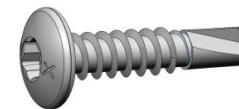
2 x

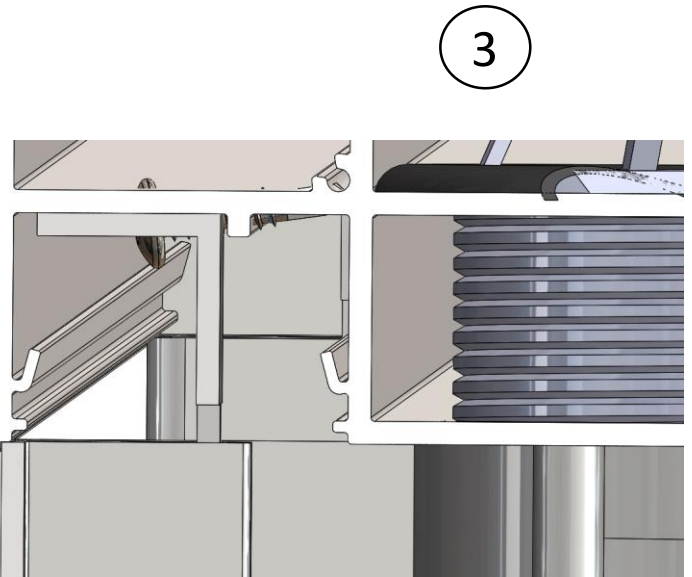
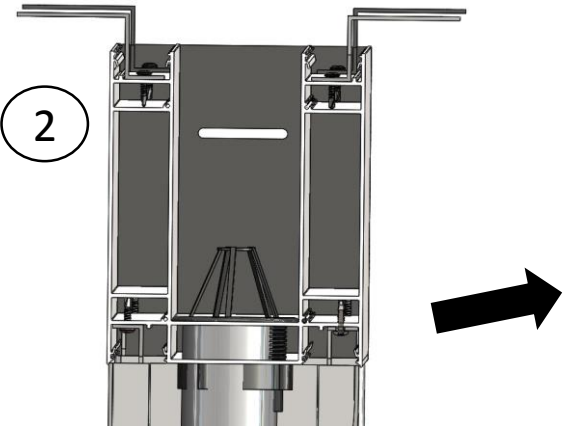
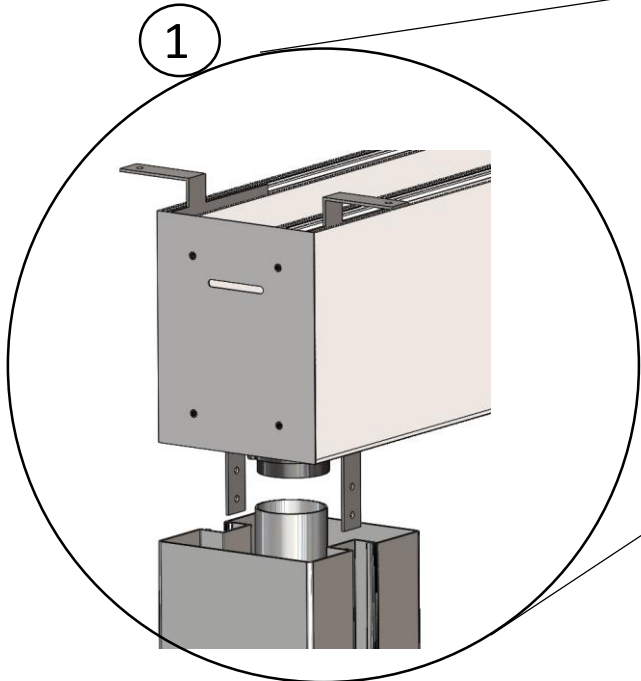


2 x



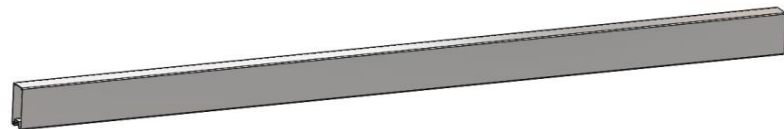
8 x 303 BI 5,5 x 25



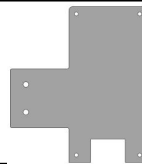


31

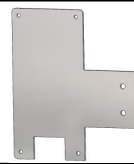
2 x AL10003



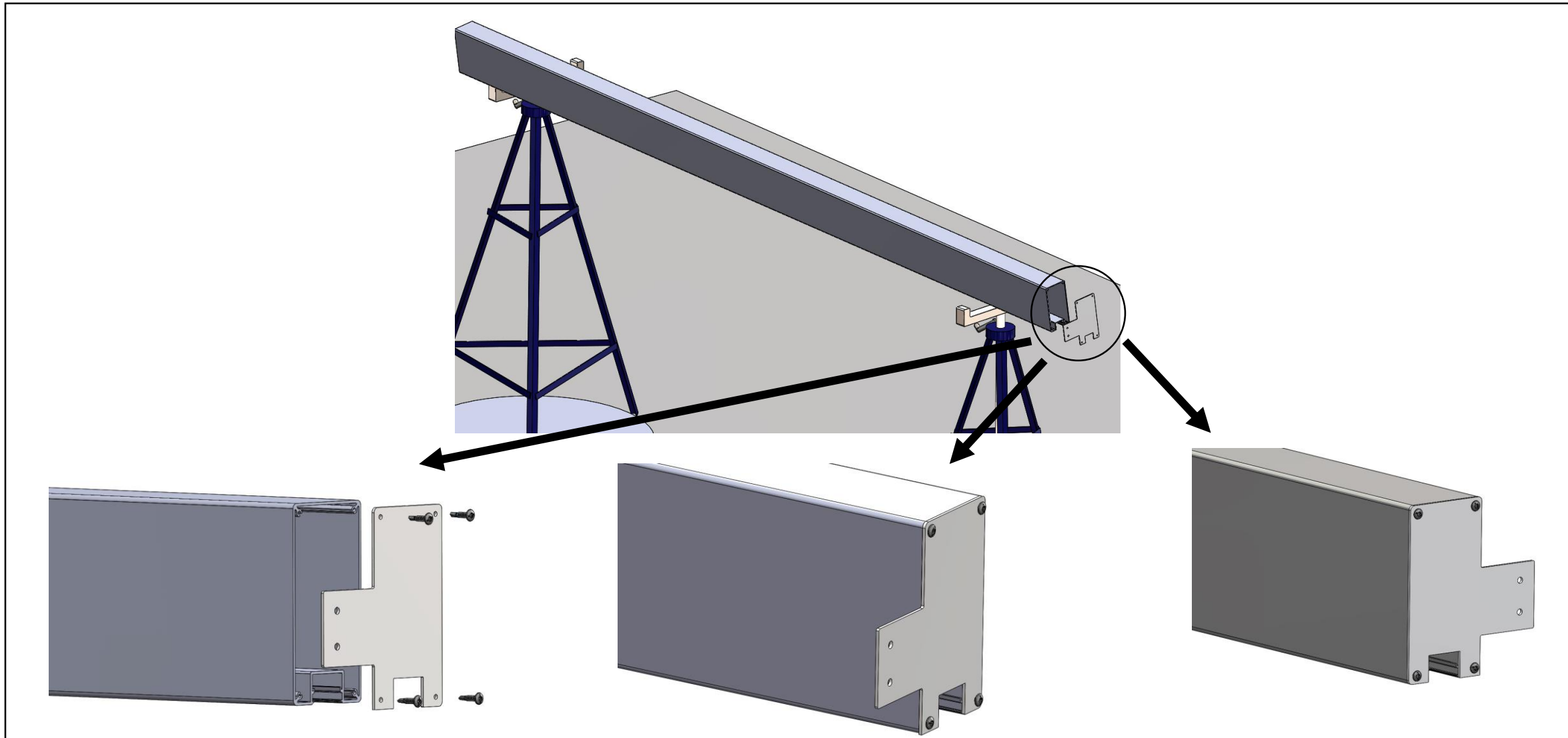
1 x



1 x

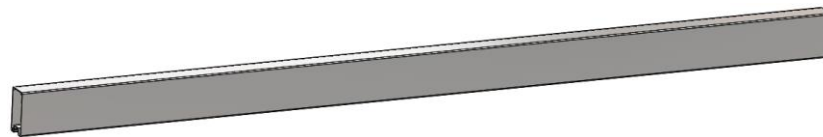


8 x

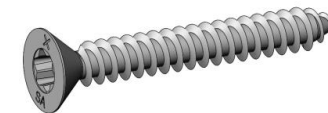


32

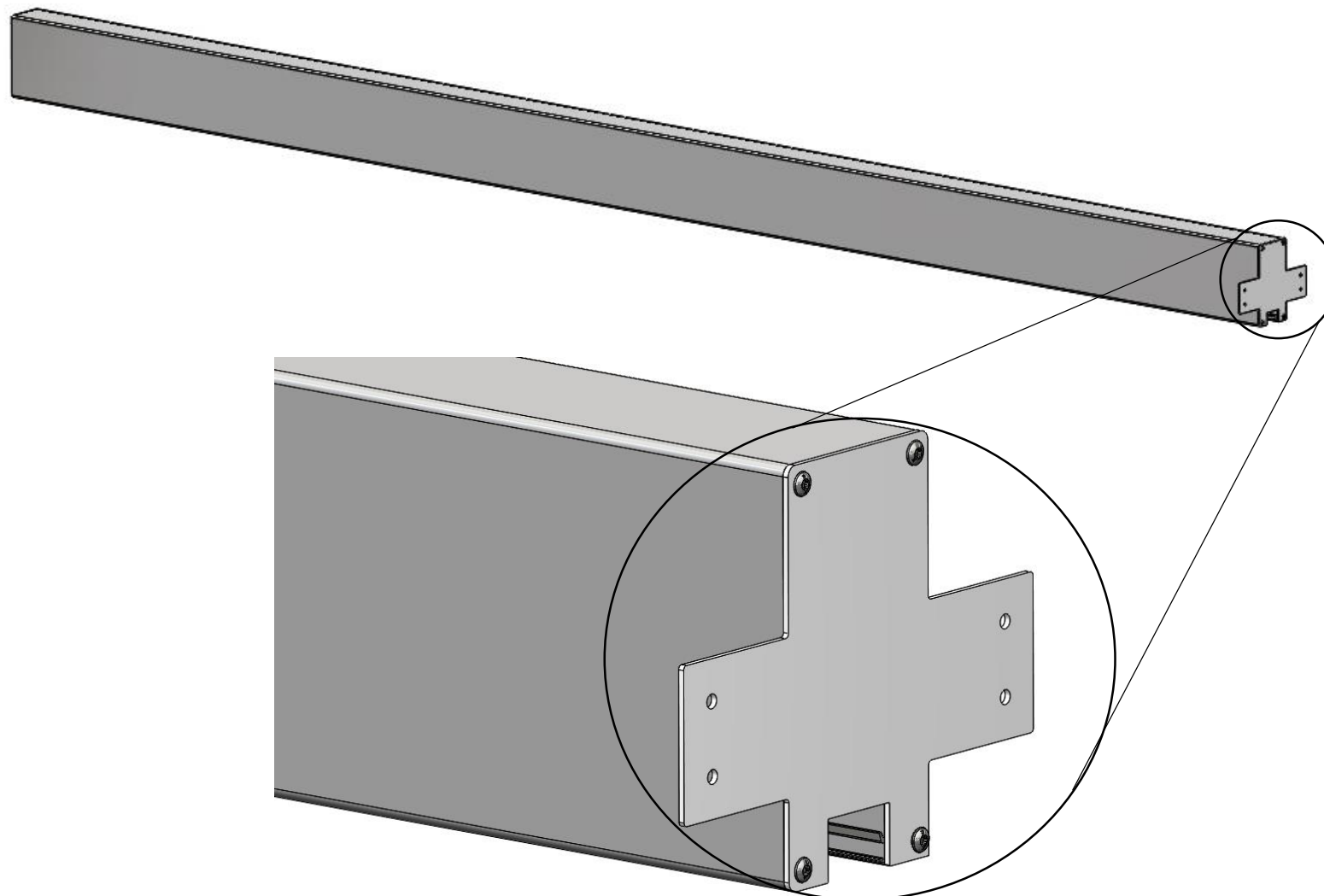
N x AL10003



N x

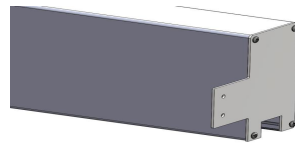


N x

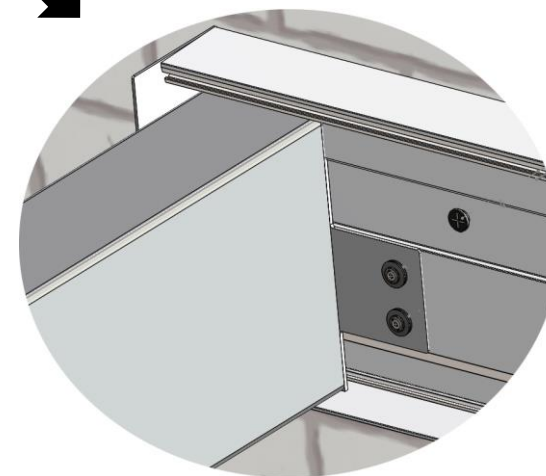
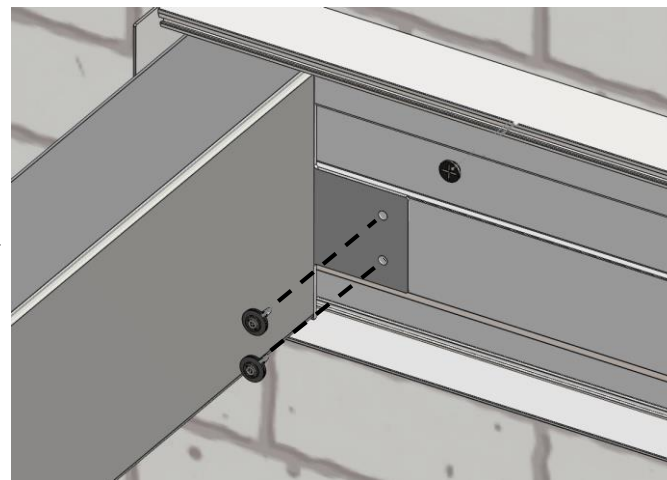
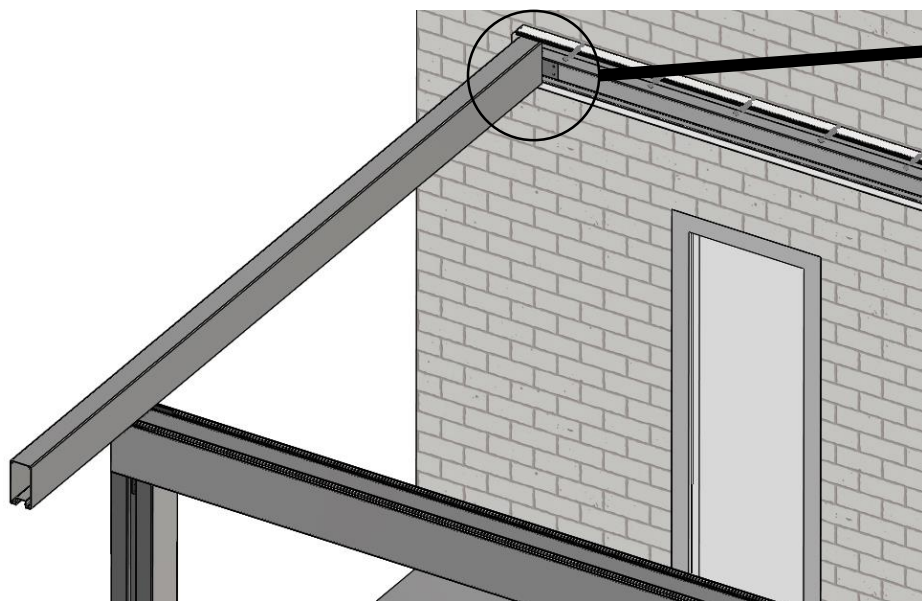


33

1 x AL10003 + 0300



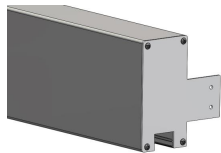
2 x



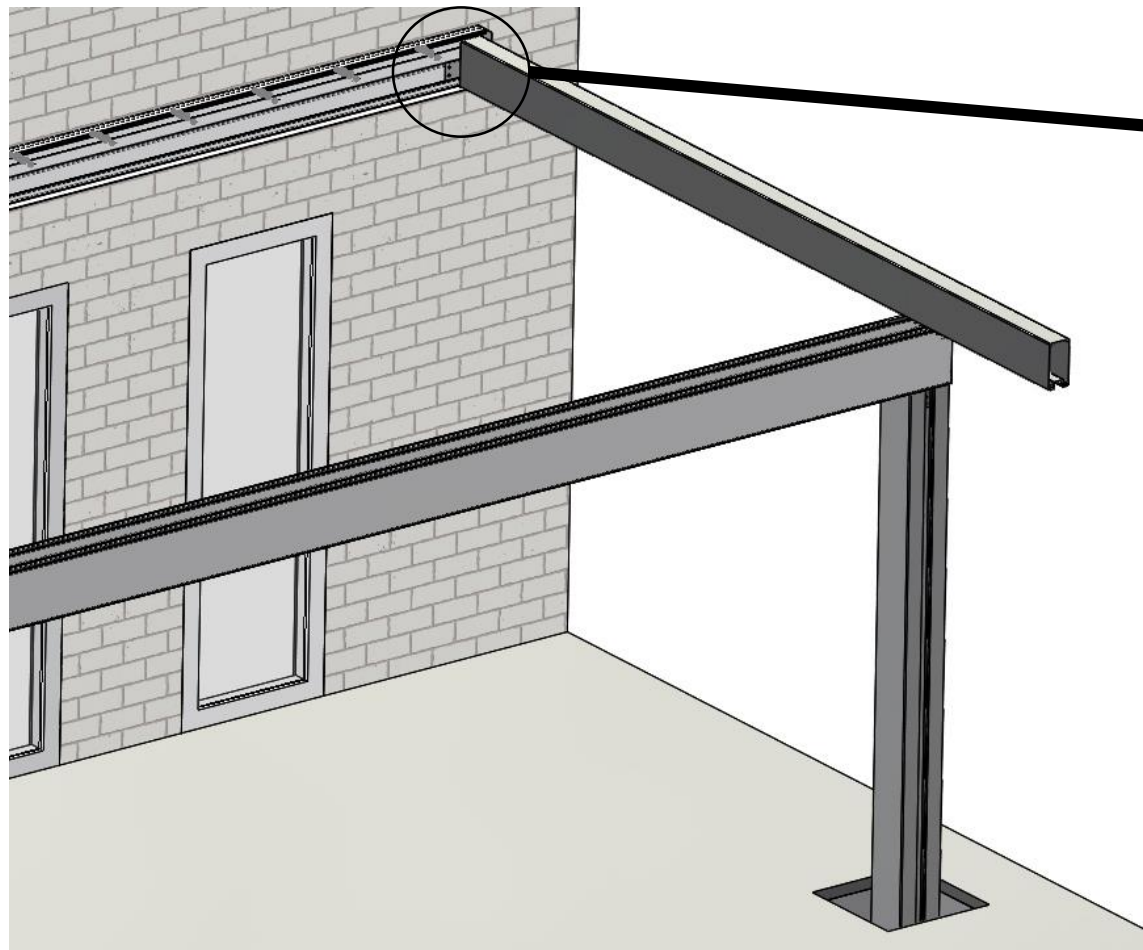


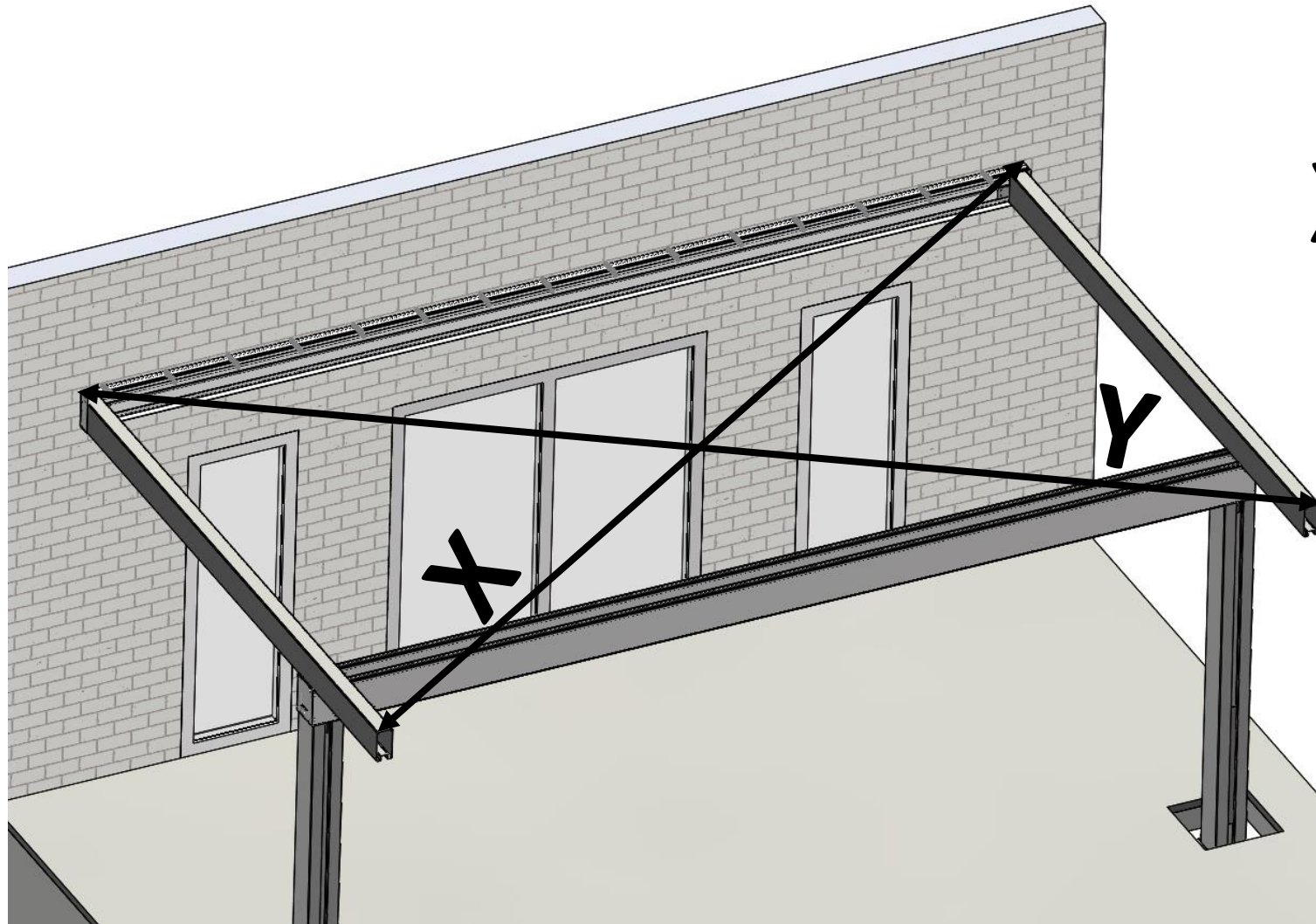
34

1 x AL10003 + 0300



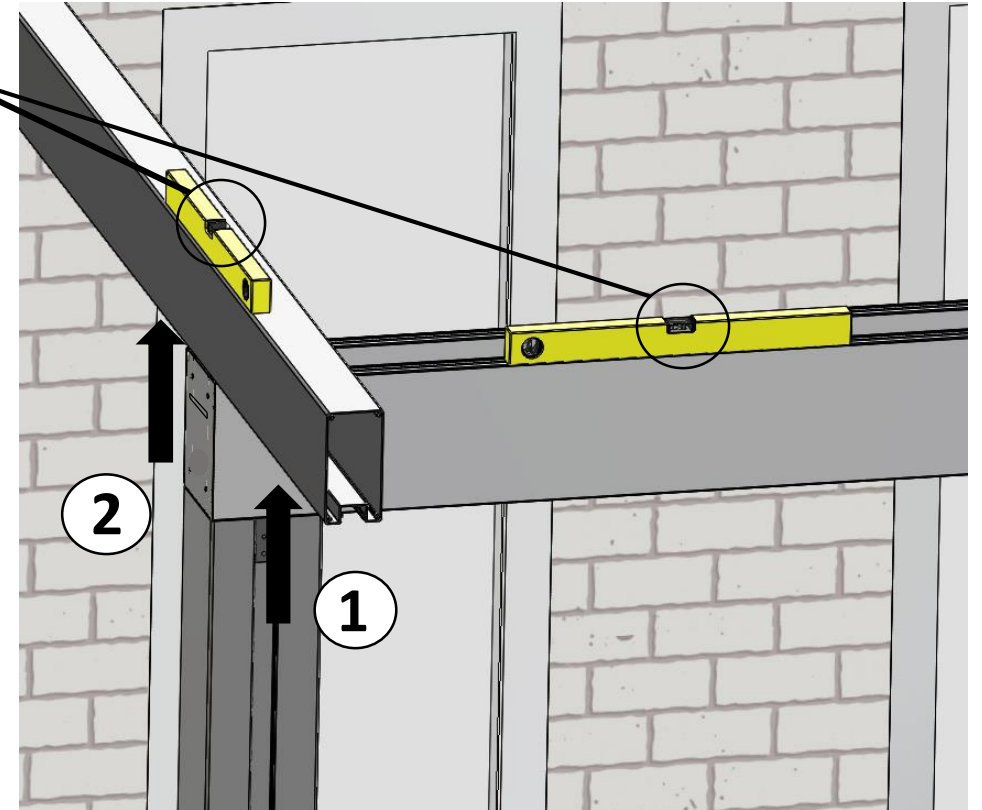
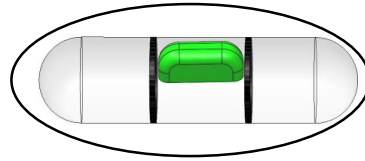
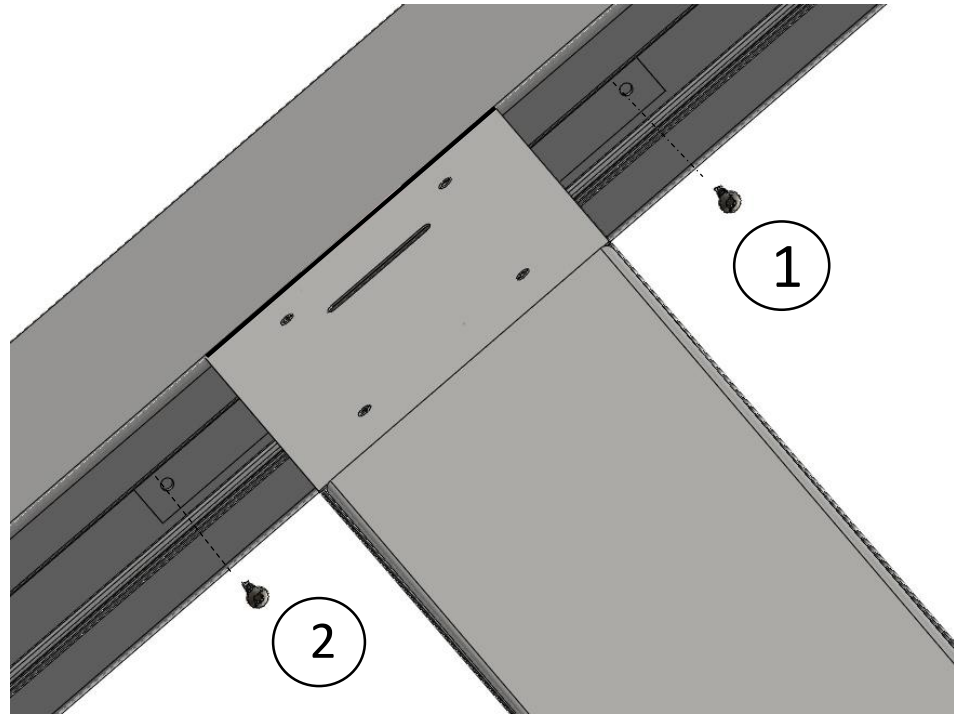
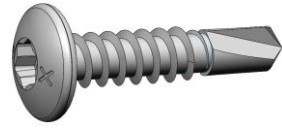
2 x





36

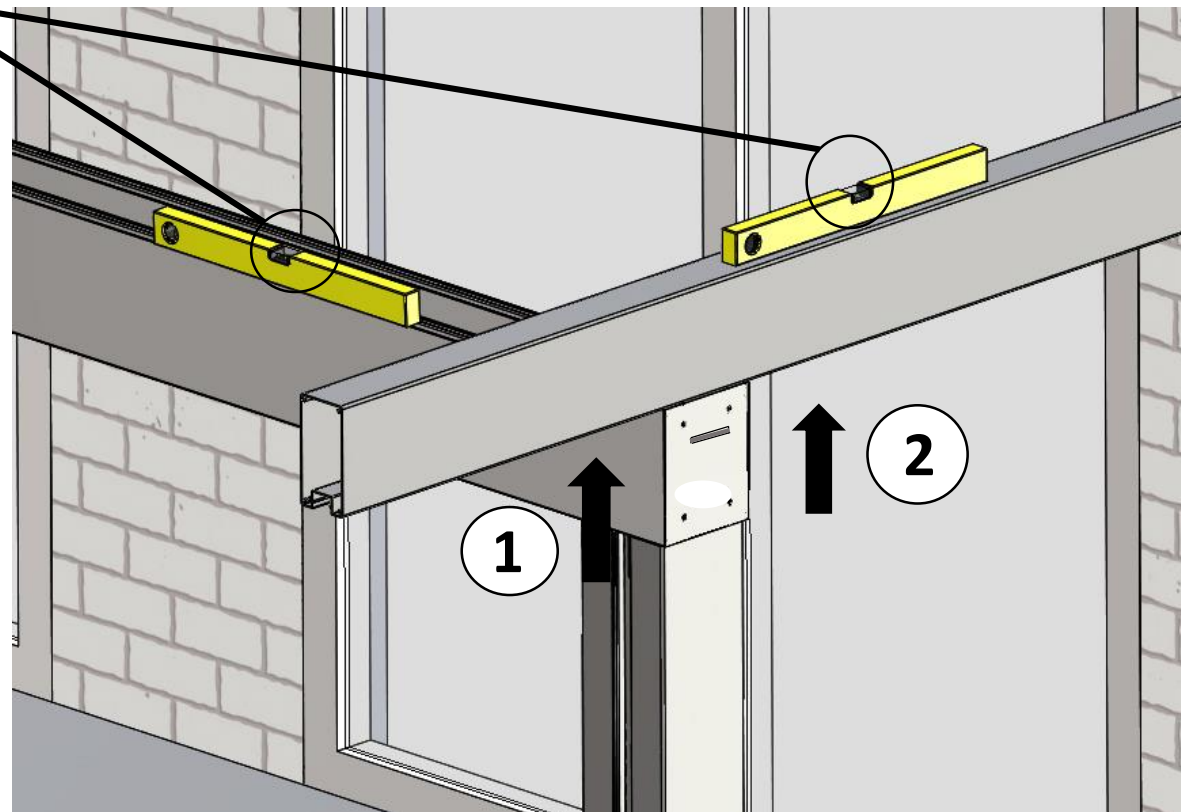
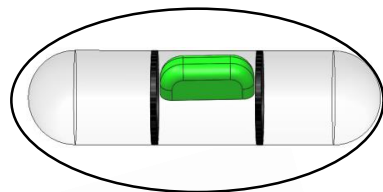
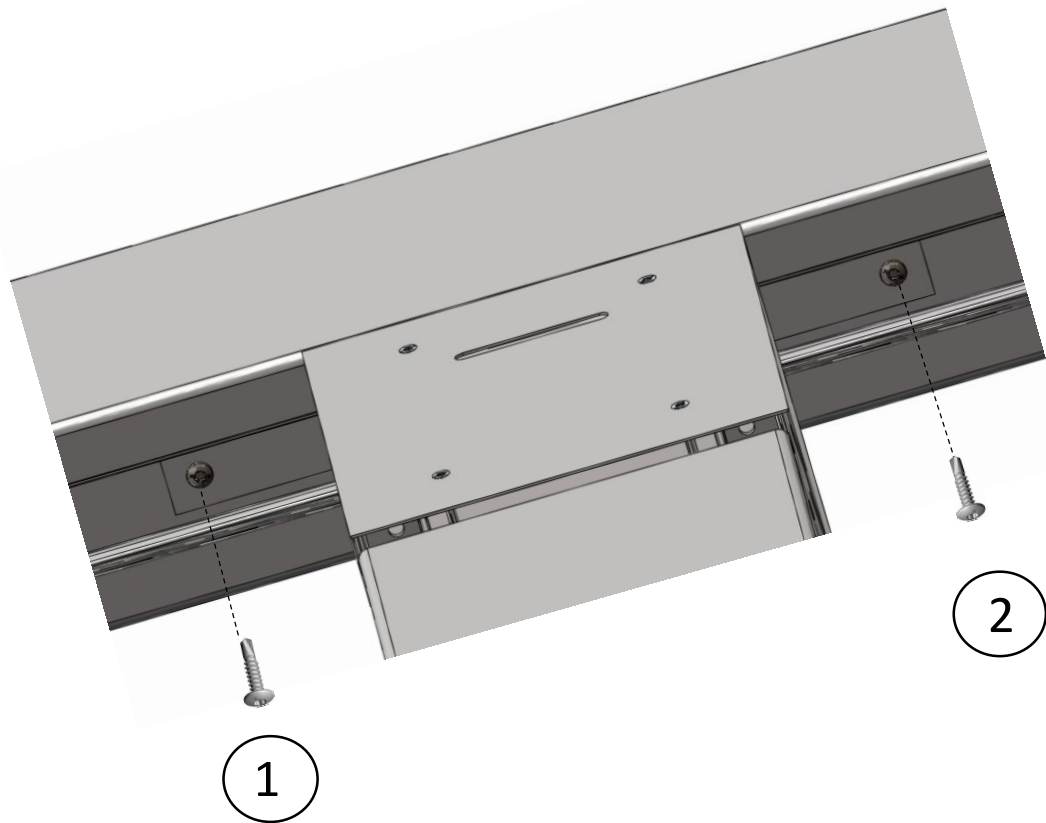
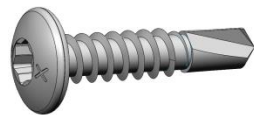
2 x





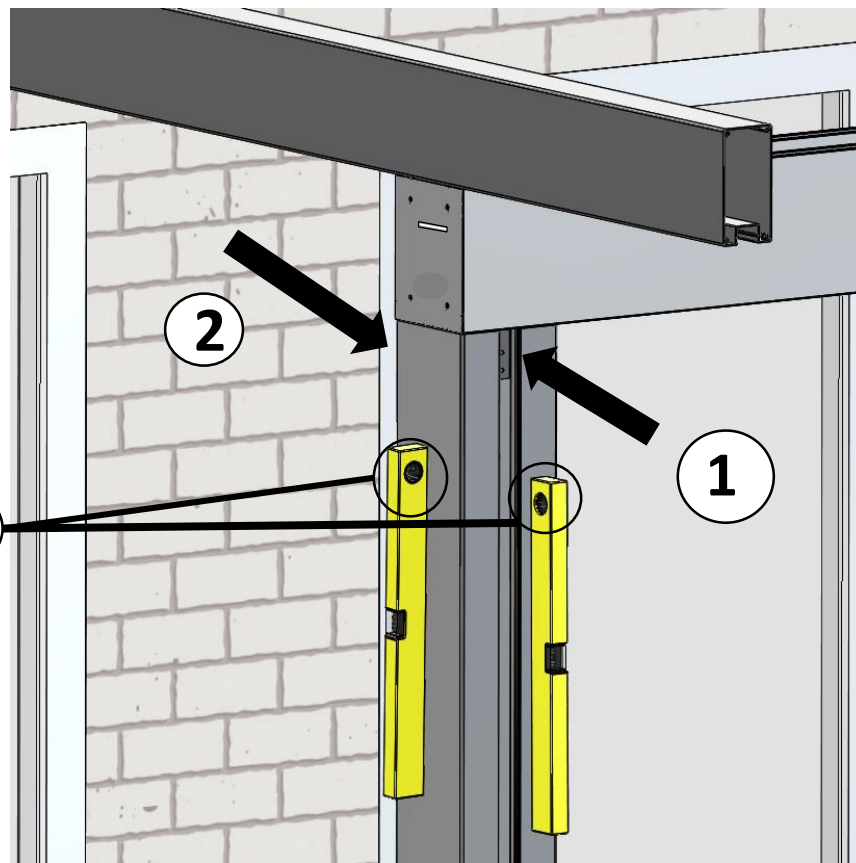
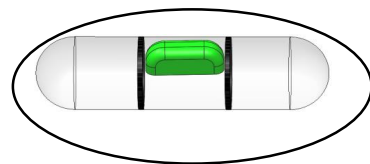
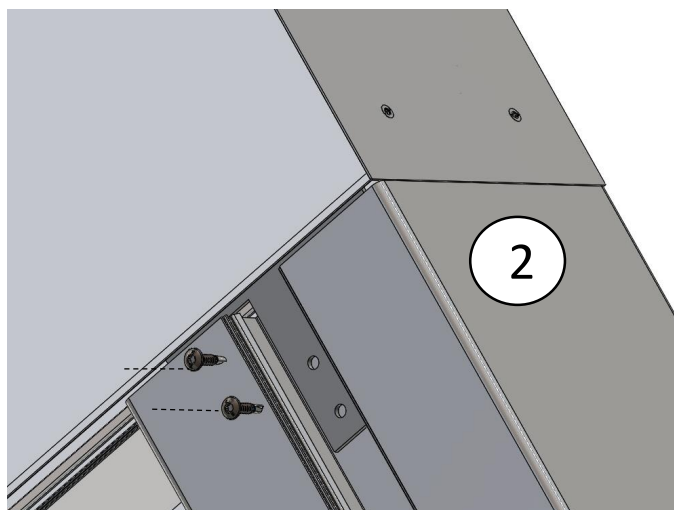
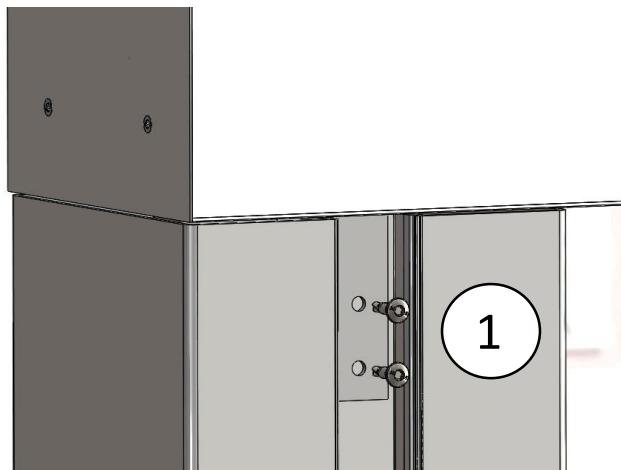
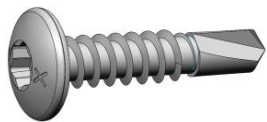
37

2 x



38

4 x

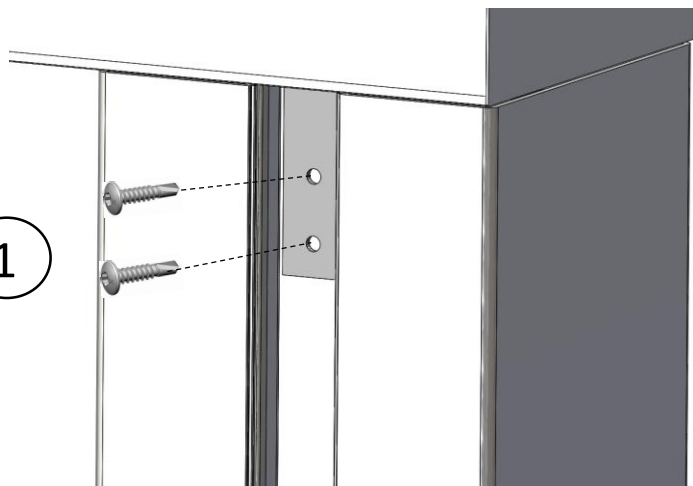


39

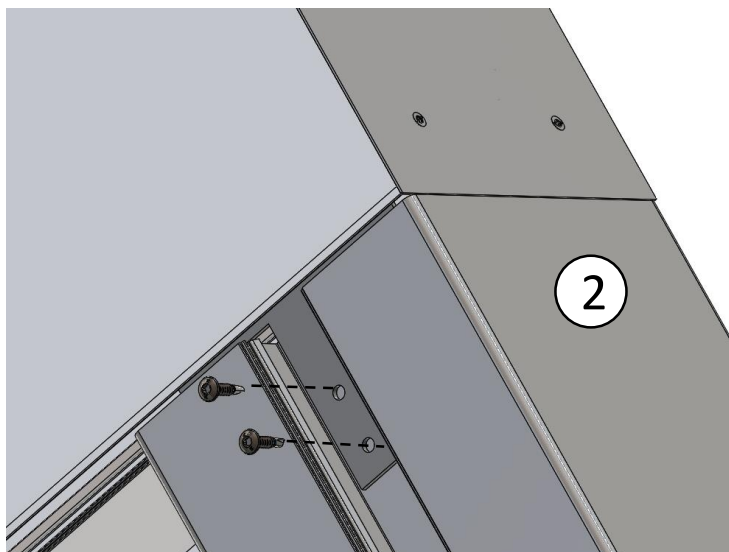
4 x



1

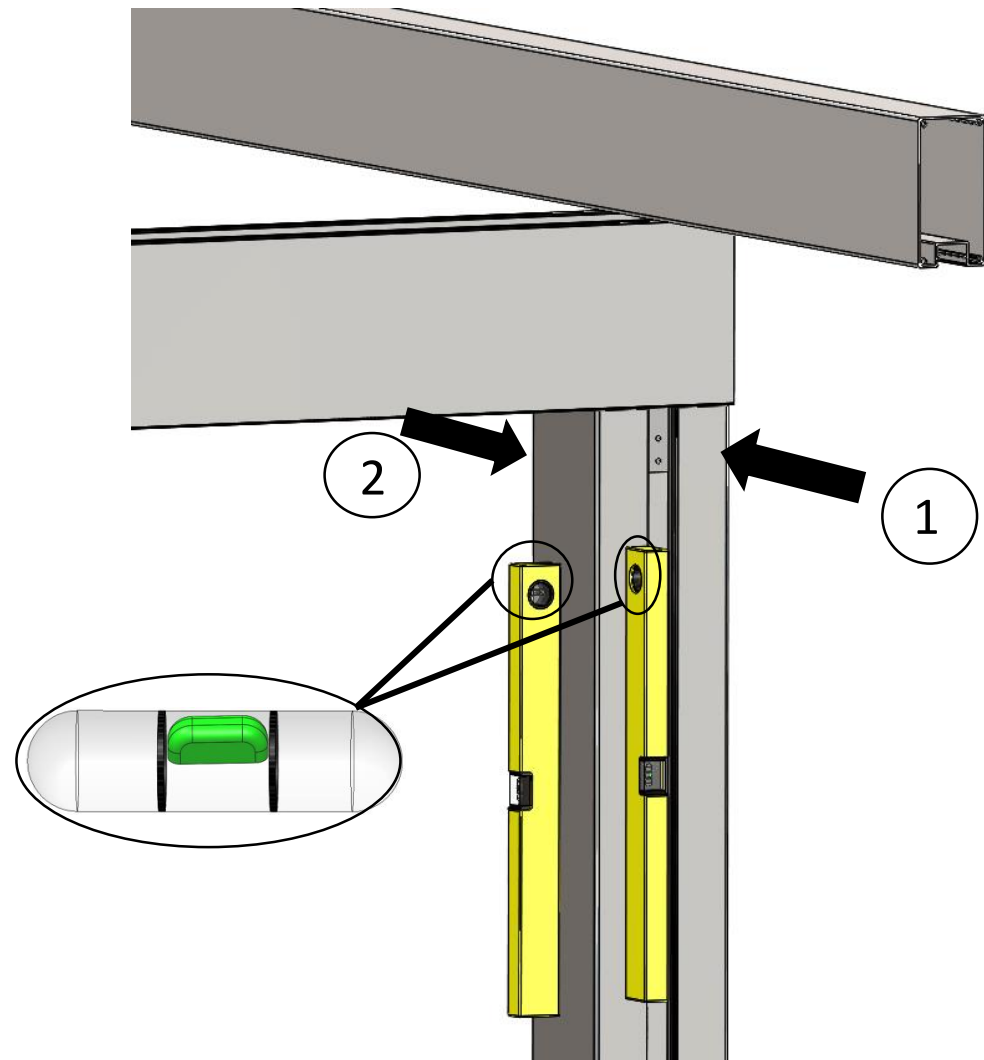


2



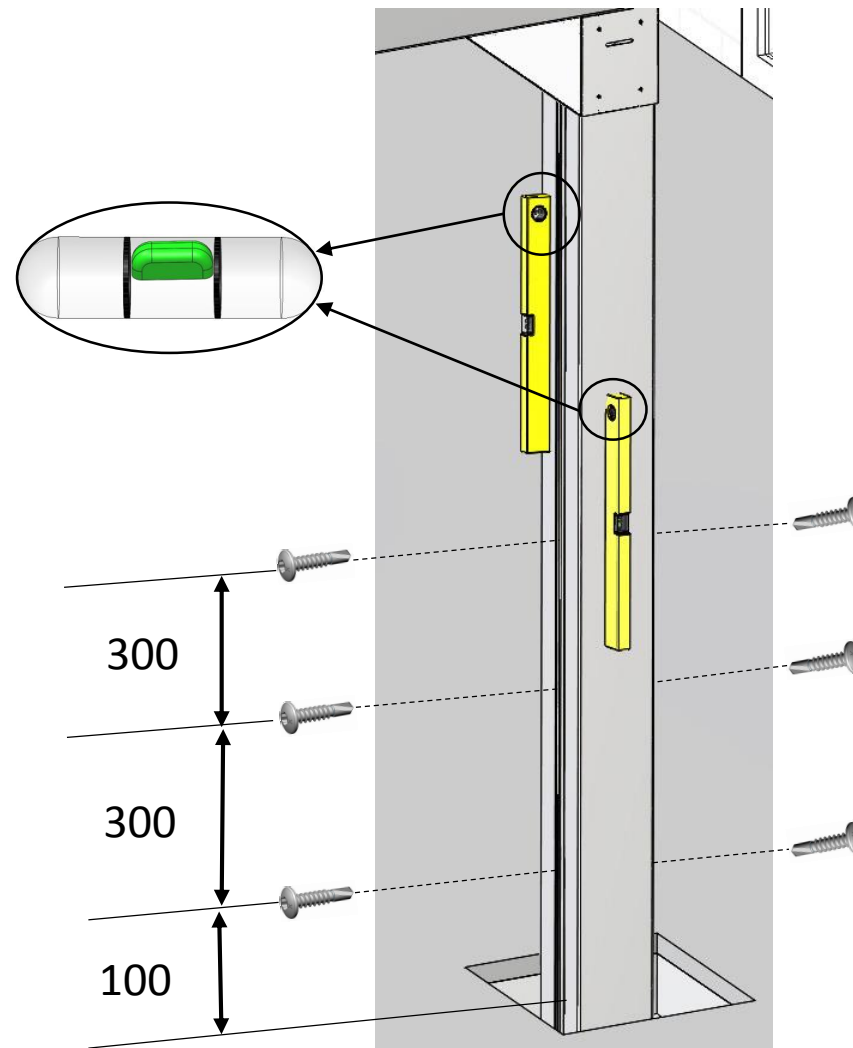
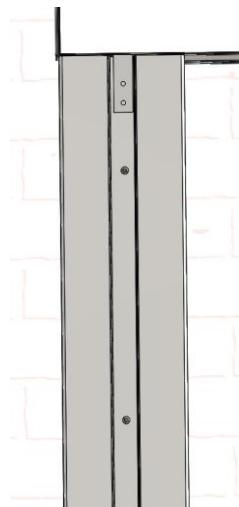
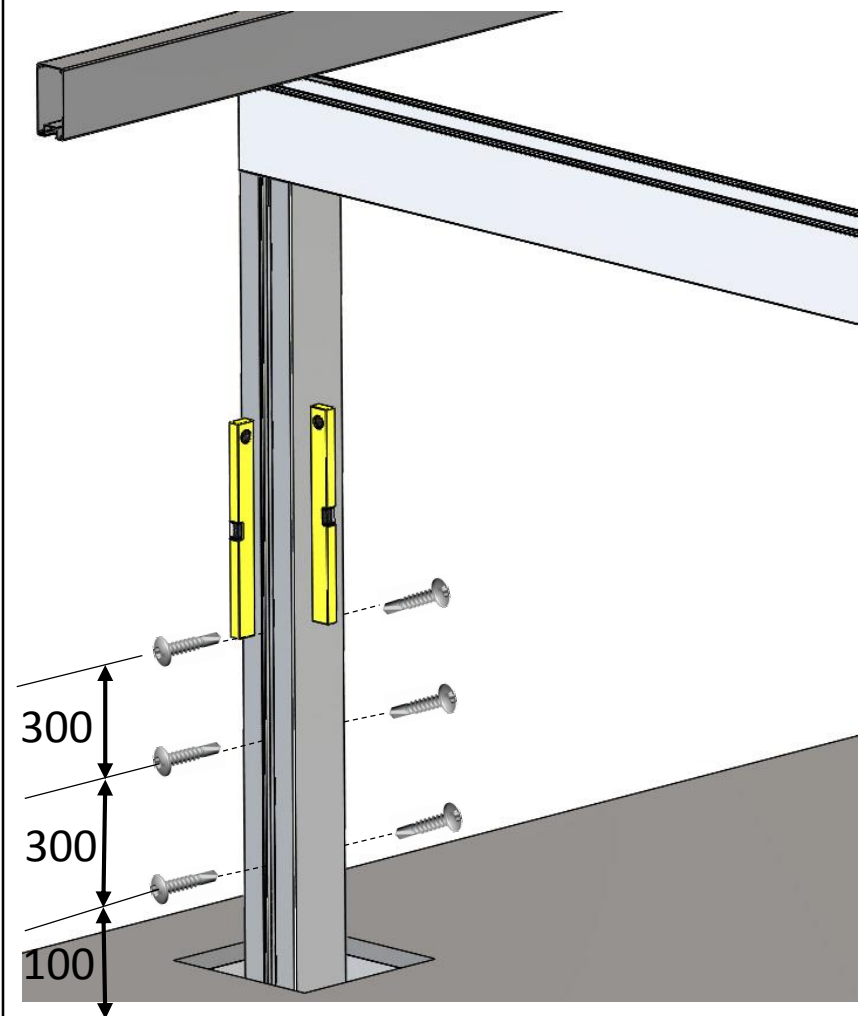
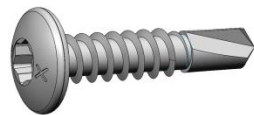
2

1



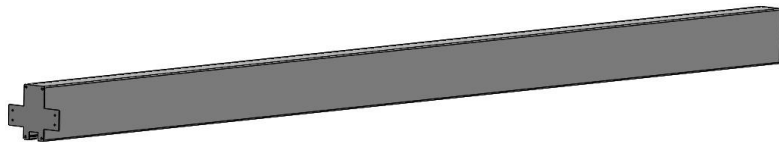
40

12 x

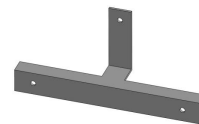


41

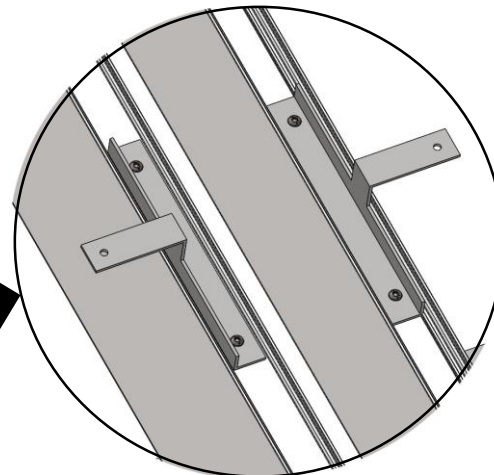
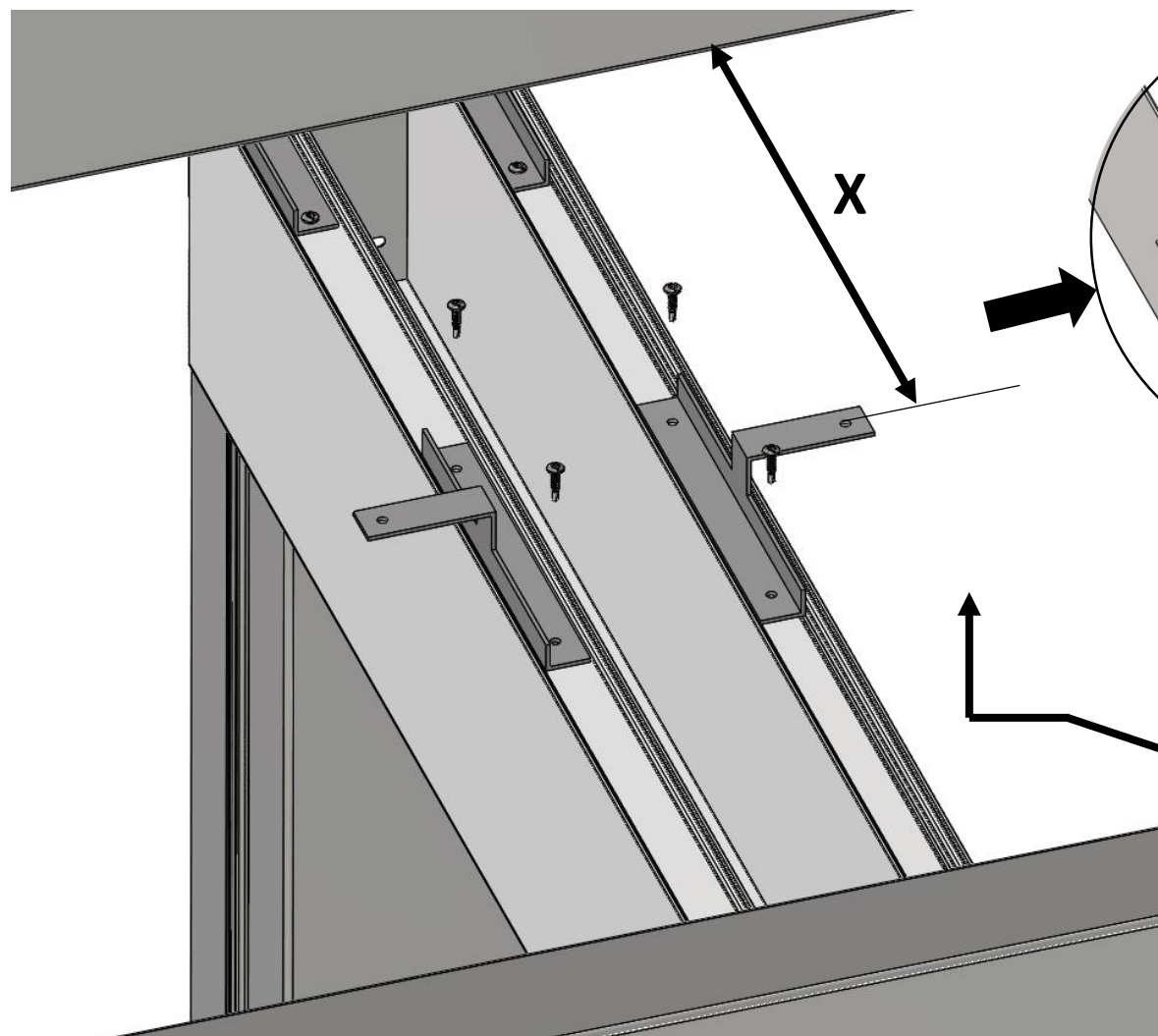
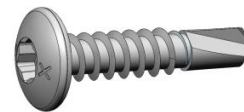
6 x



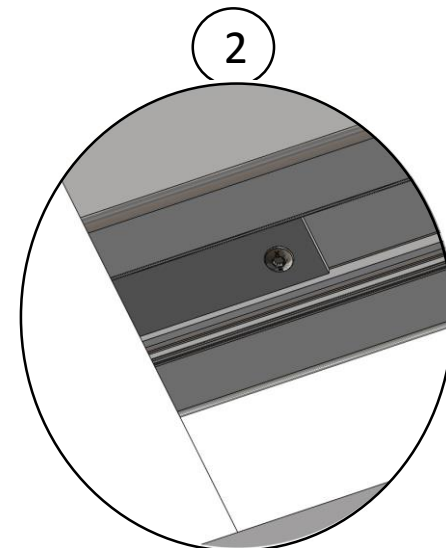
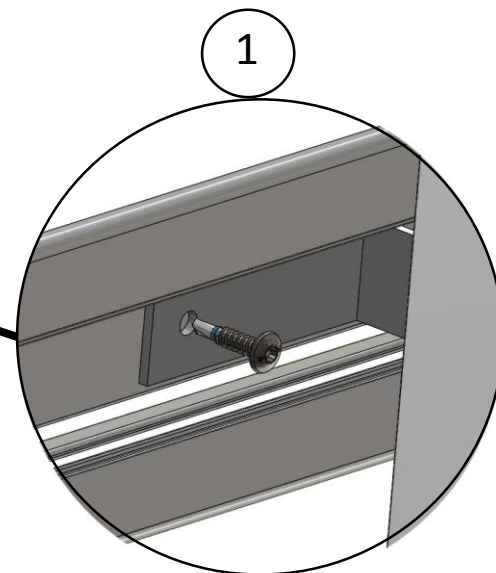
12 x



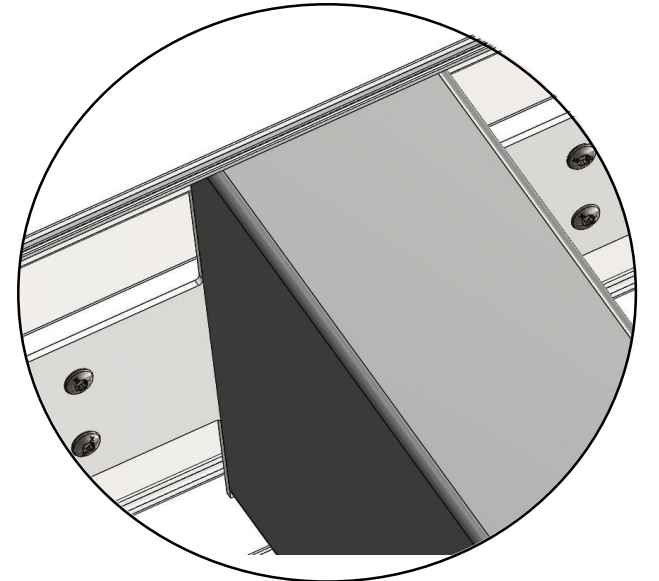
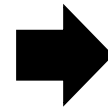
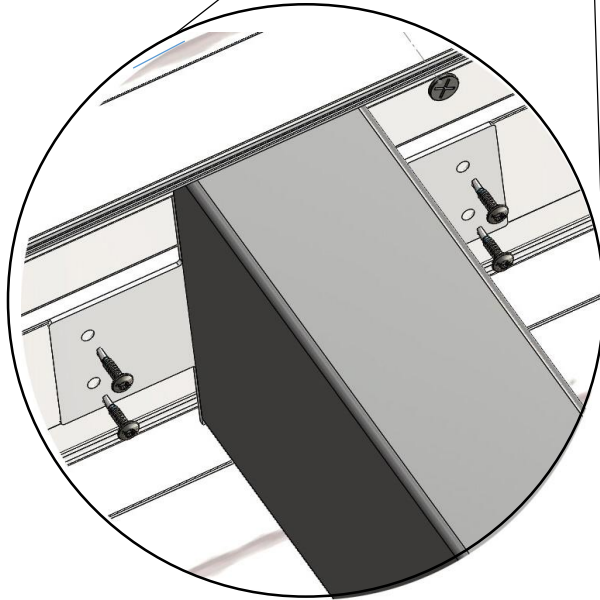
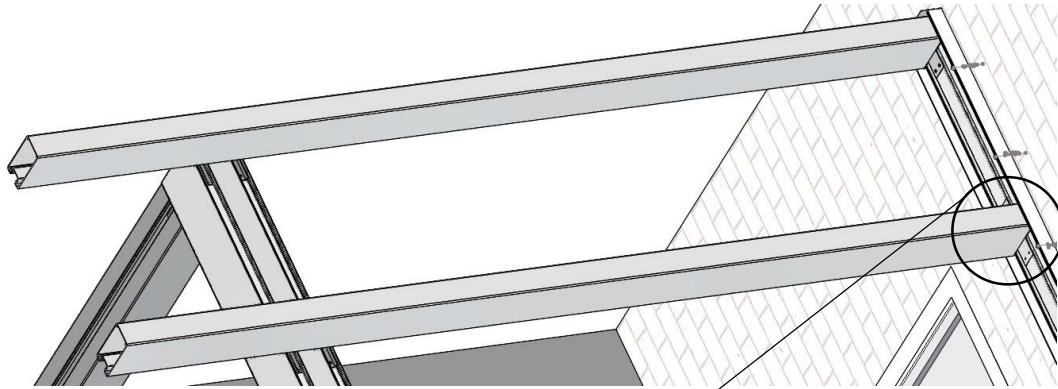
36 x

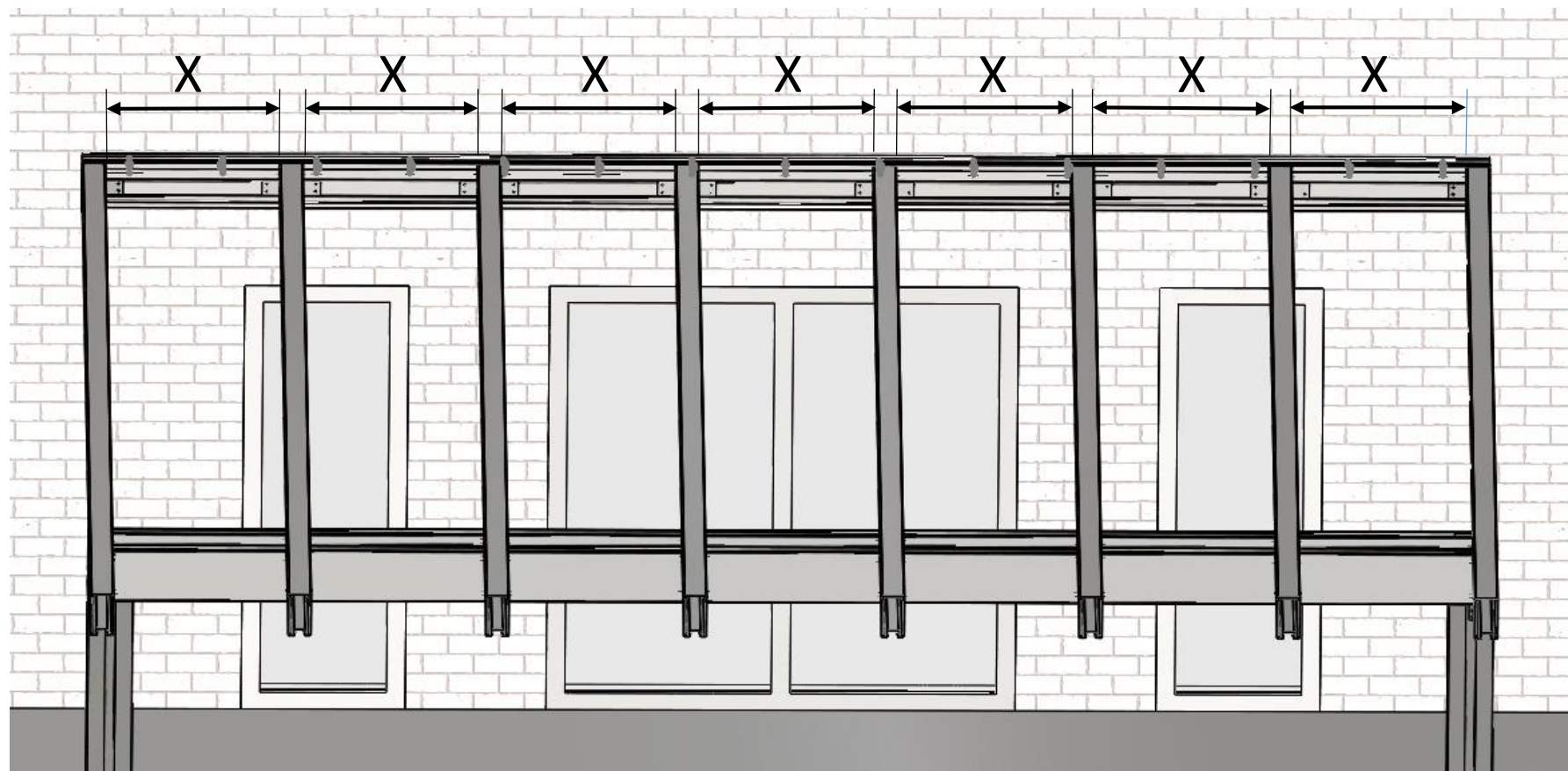


N x







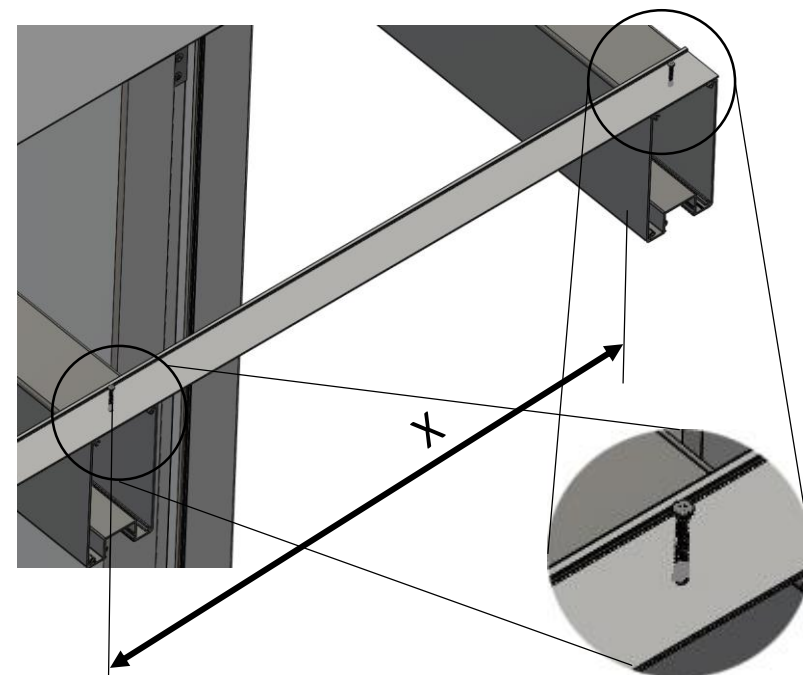
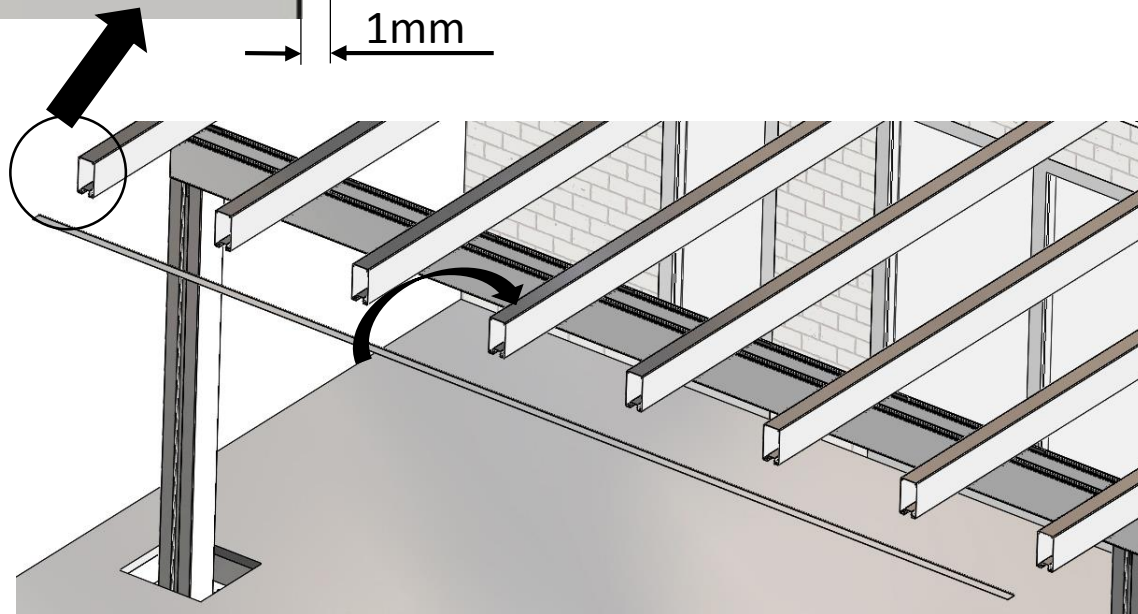
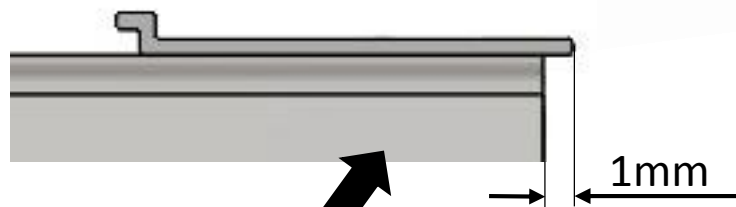
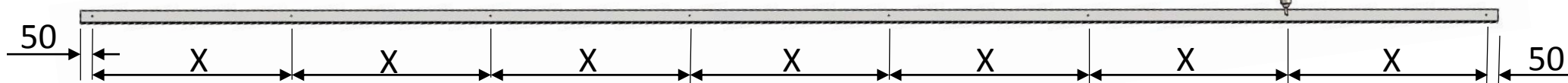


44

1 x AL10008

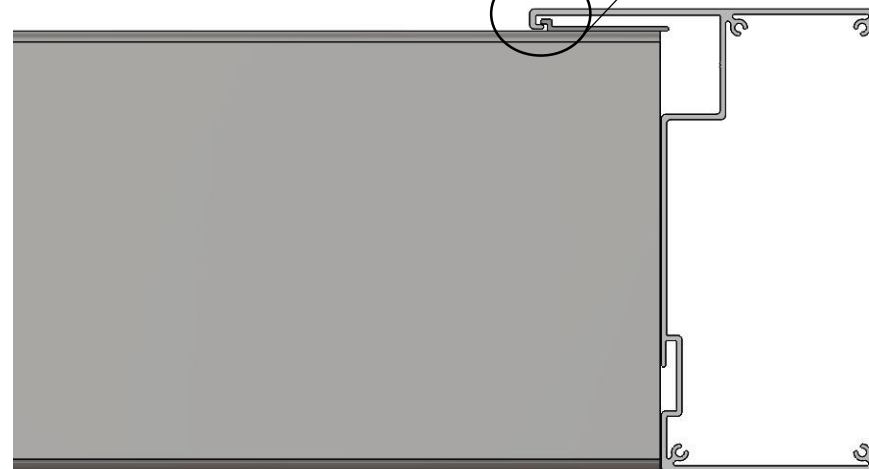
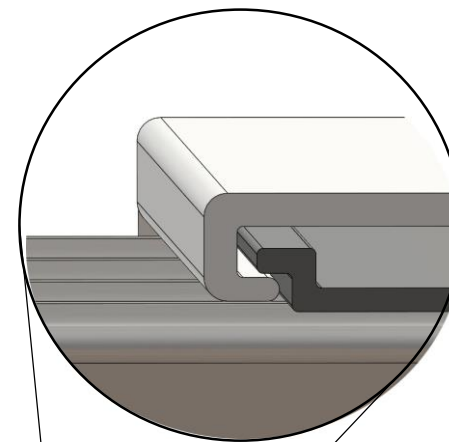
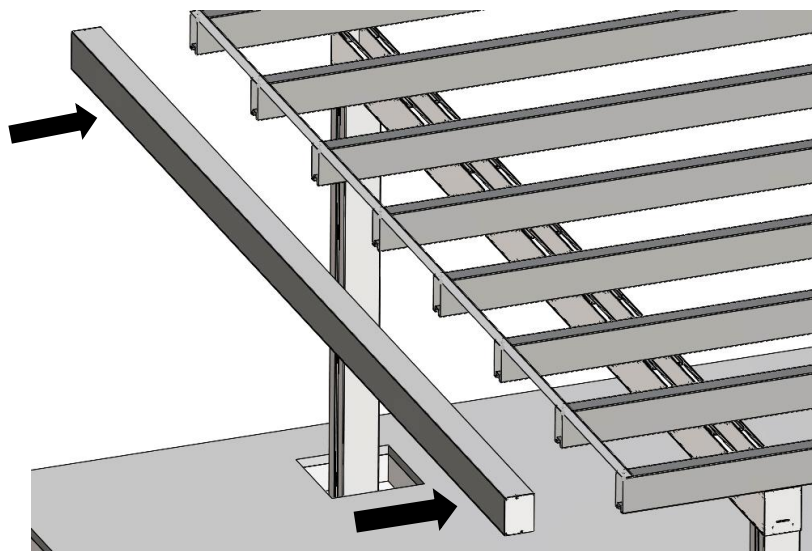
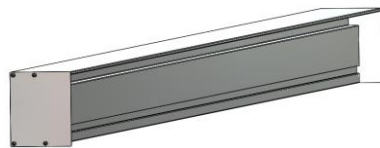


390 SA 4,2 x 32



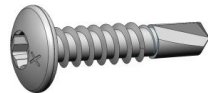
45

1 x AL 10005

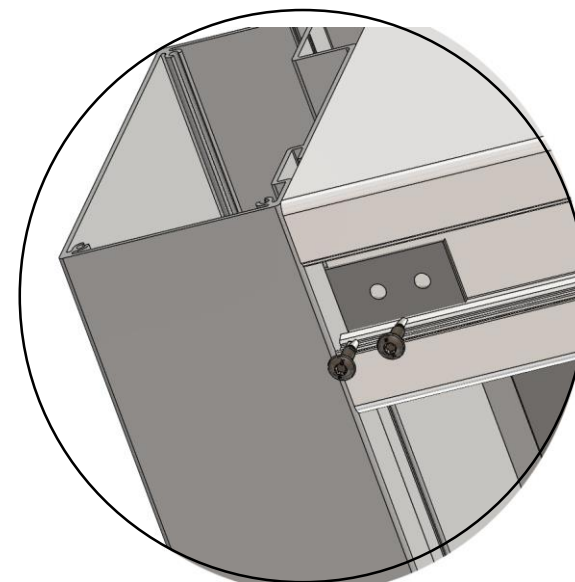
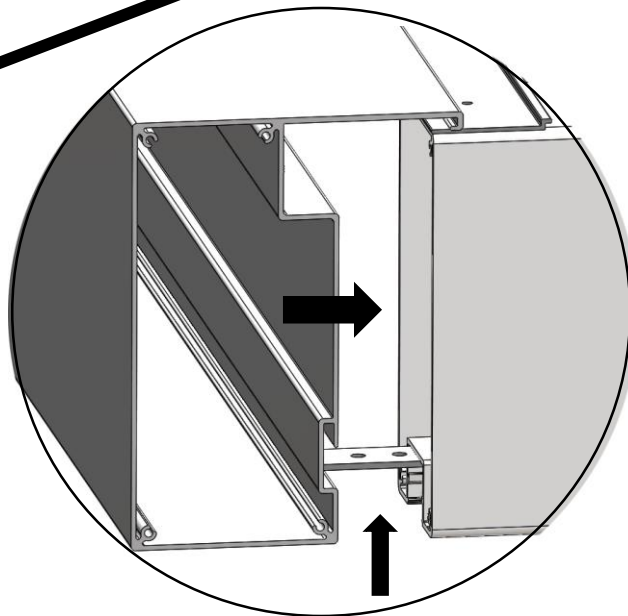
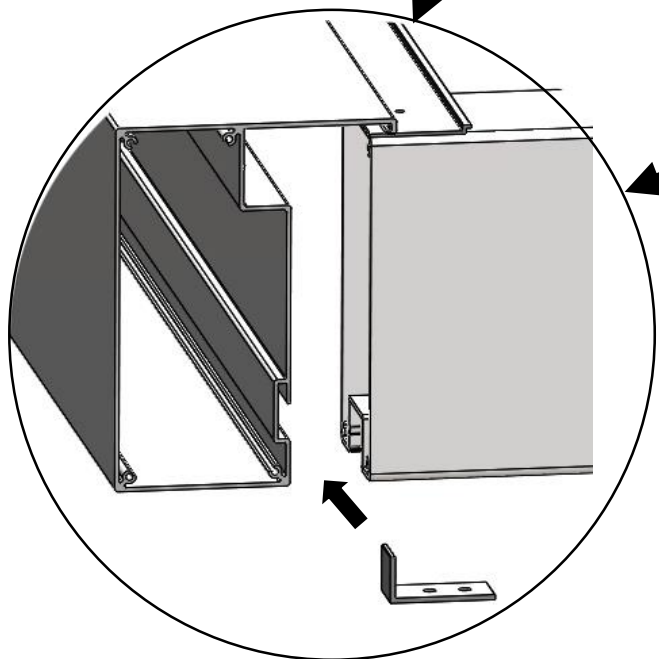
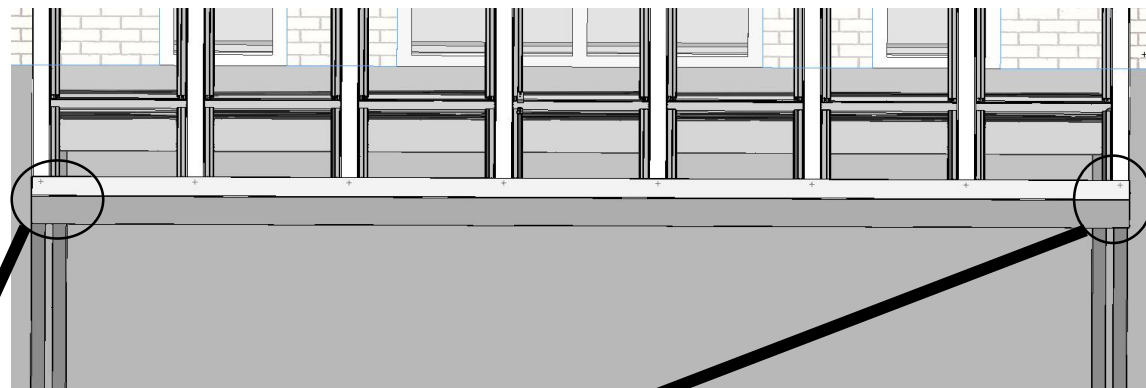


46

4 x



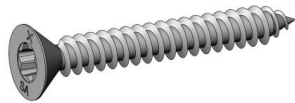
2 x AL10010



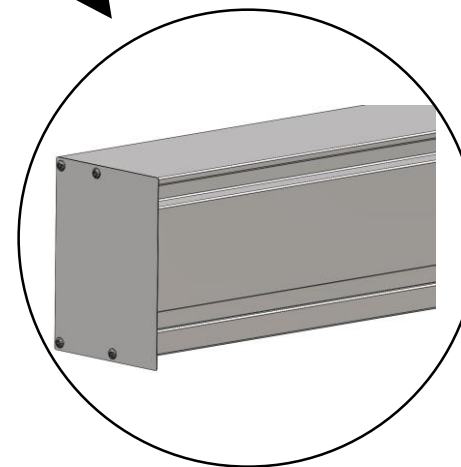
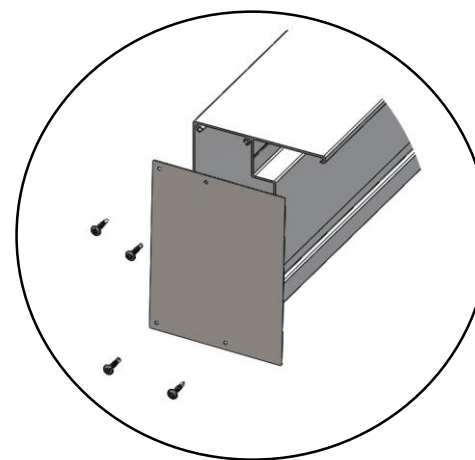
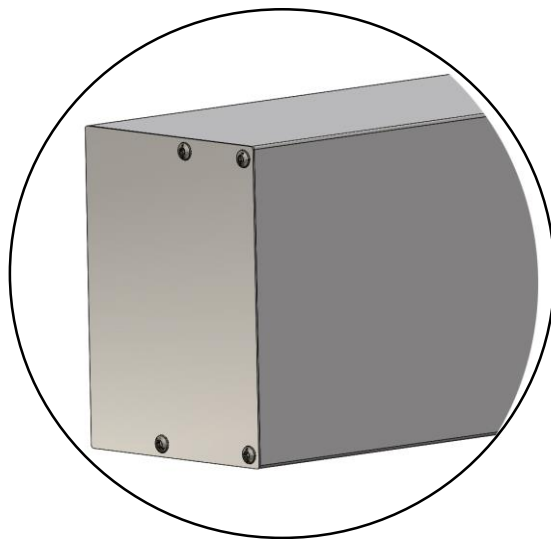
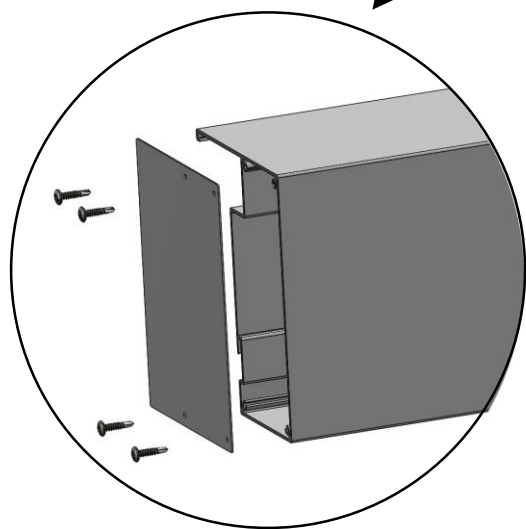


47

8 x

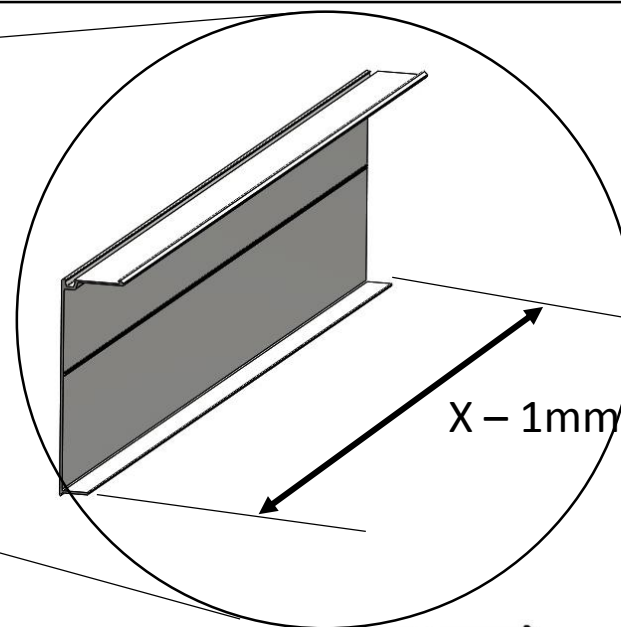
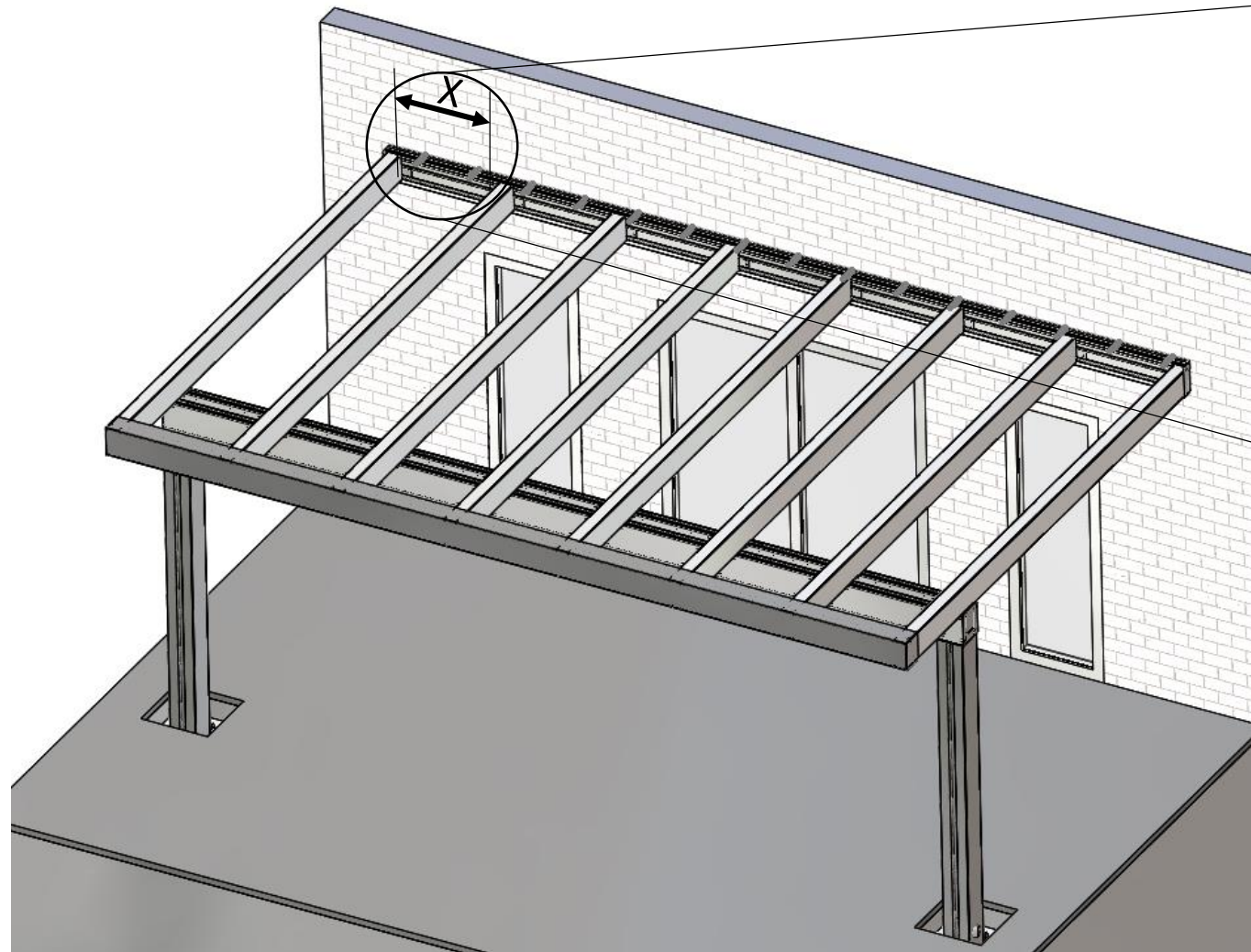
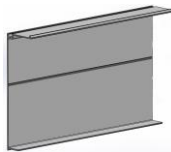


2 x UL-01



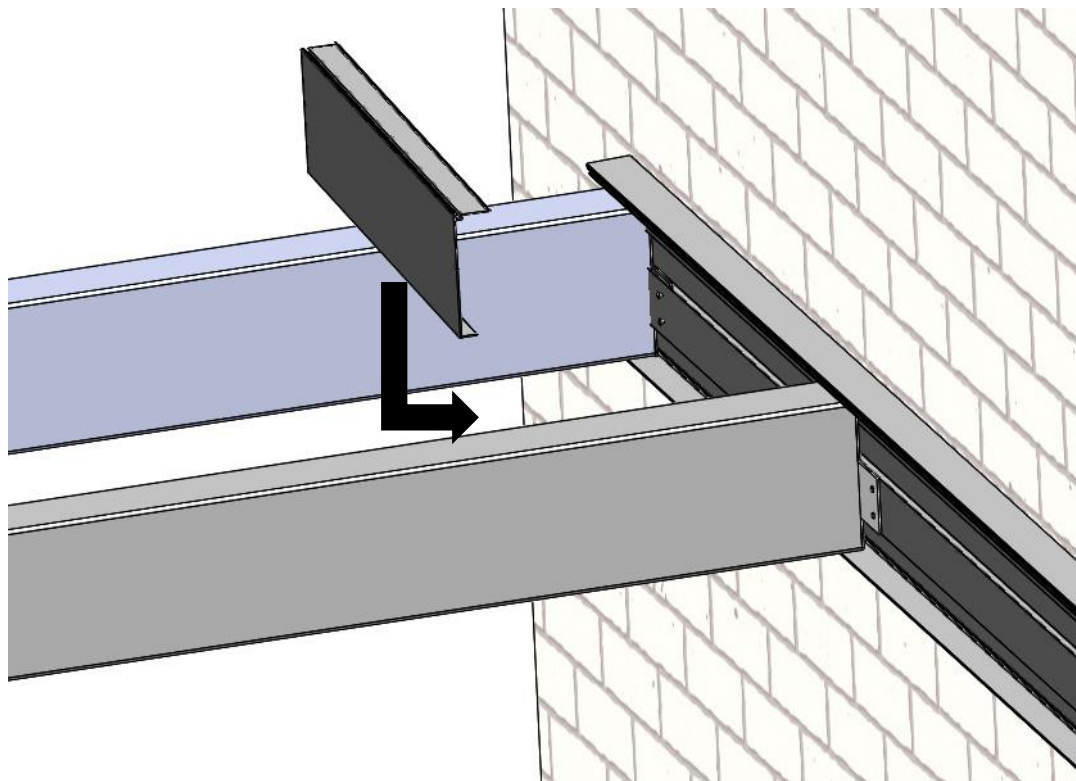
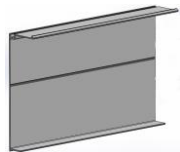
48

AL10004

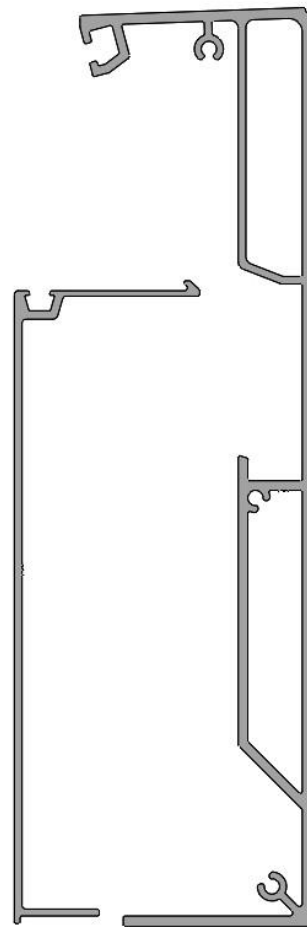


49

N x AL10004



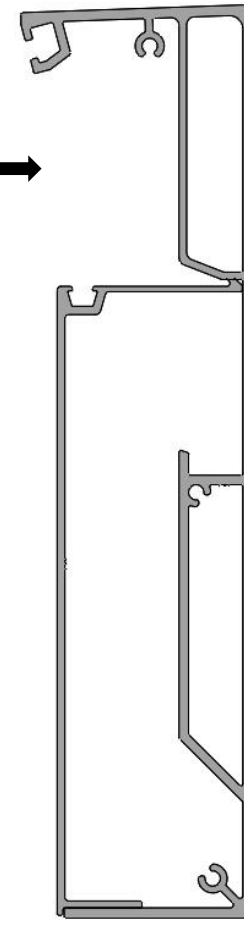
AL10004

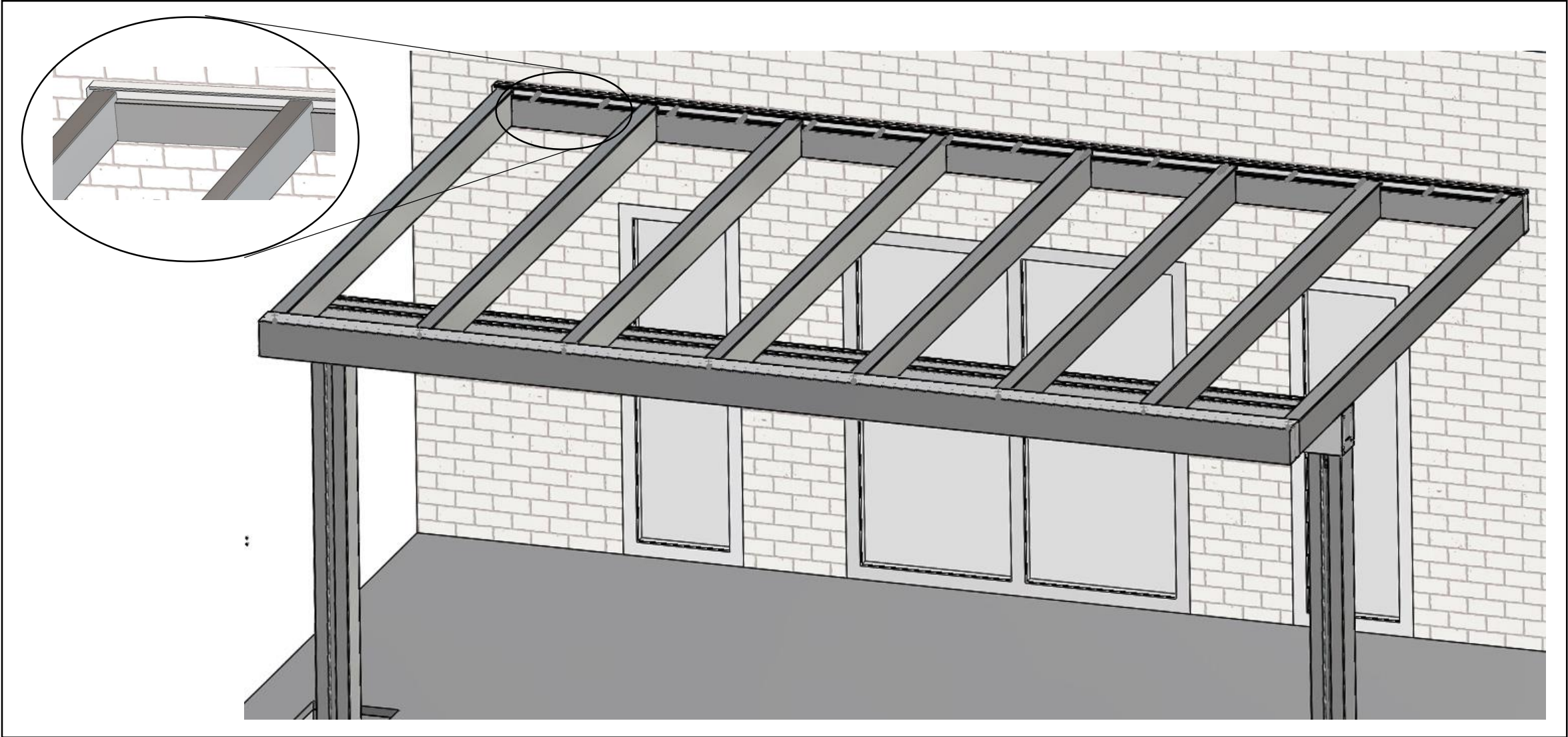


← AL10006 →



AL10004

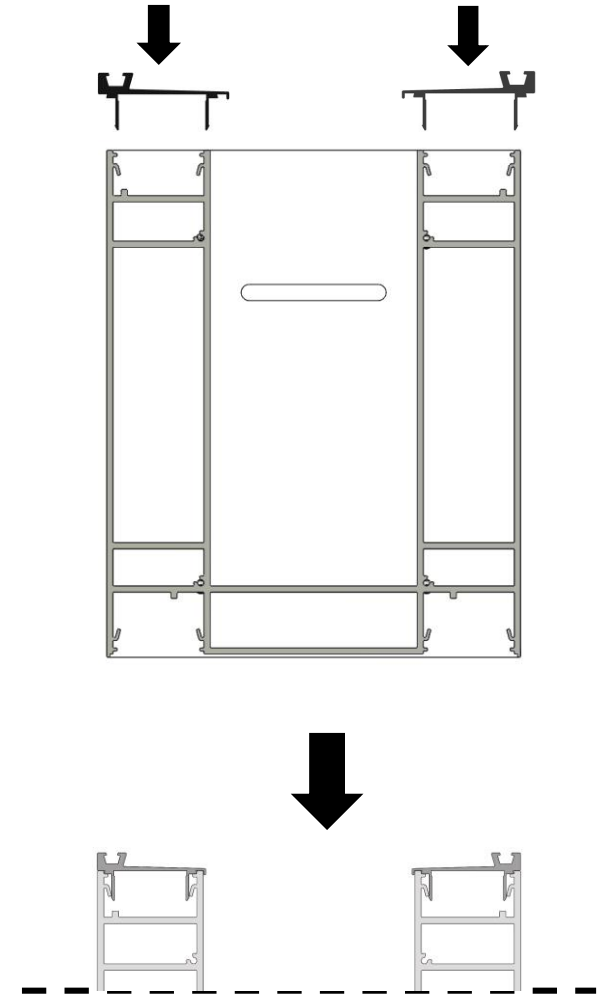
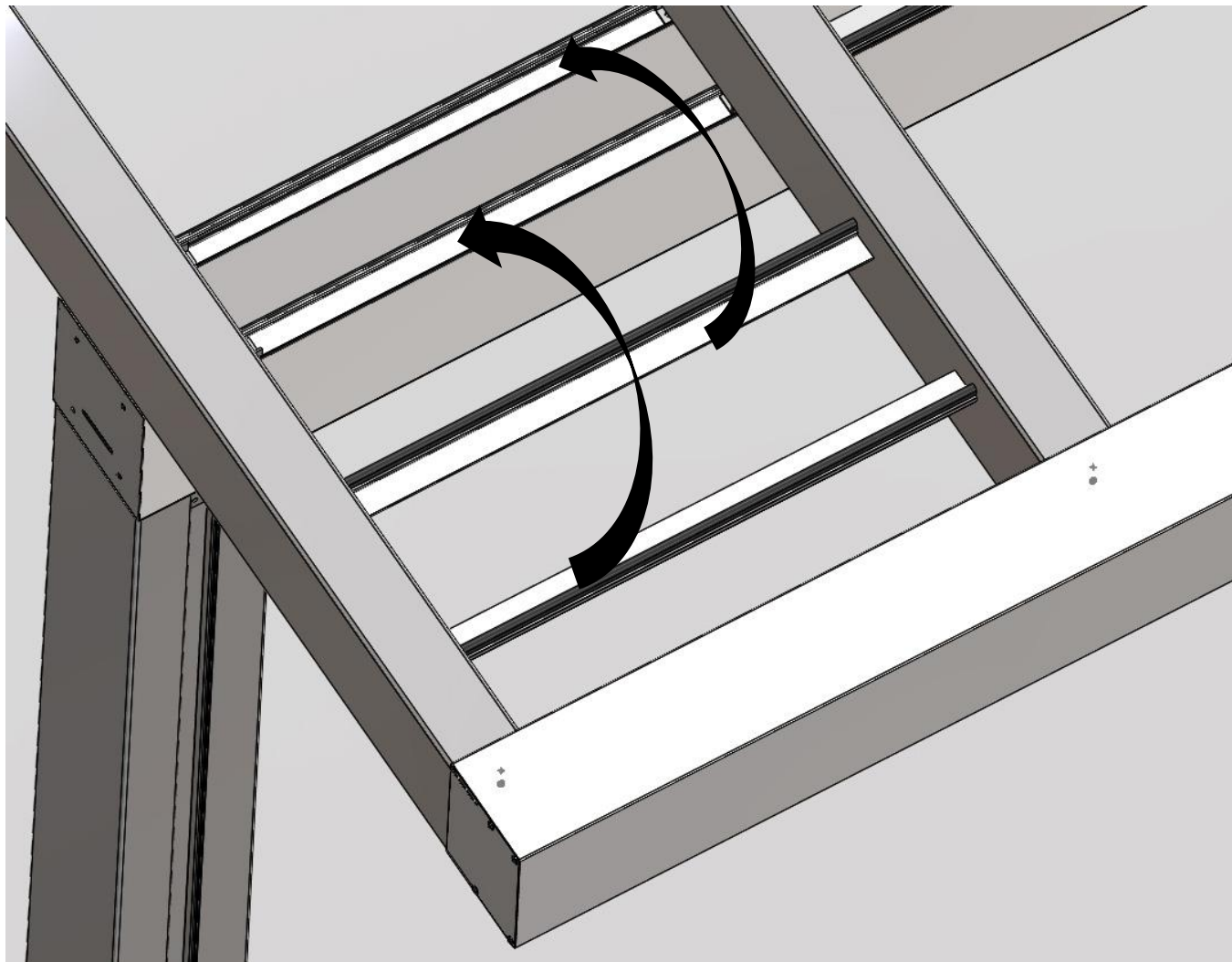
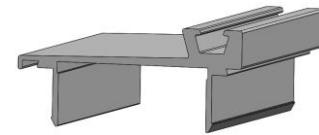
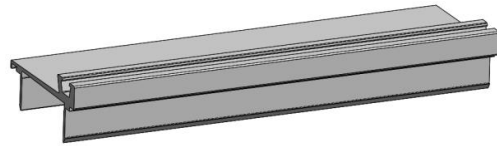






51

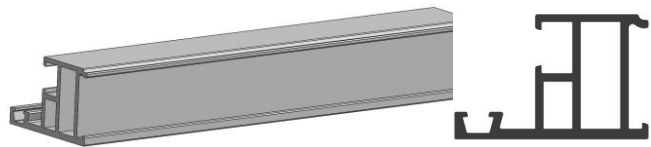
14x AL10011





52

2 x AL1012



2 x

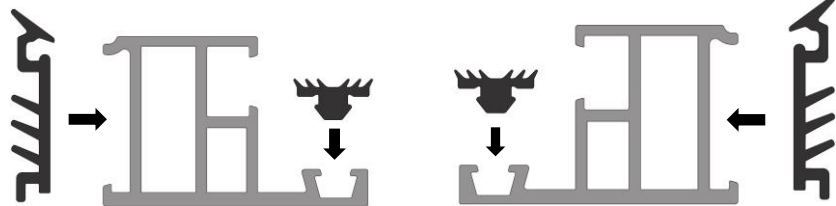


2 x



L

R



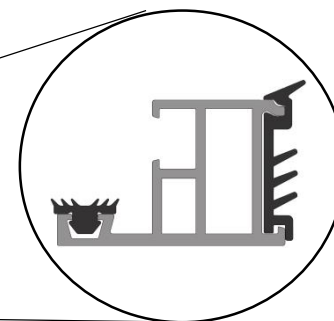
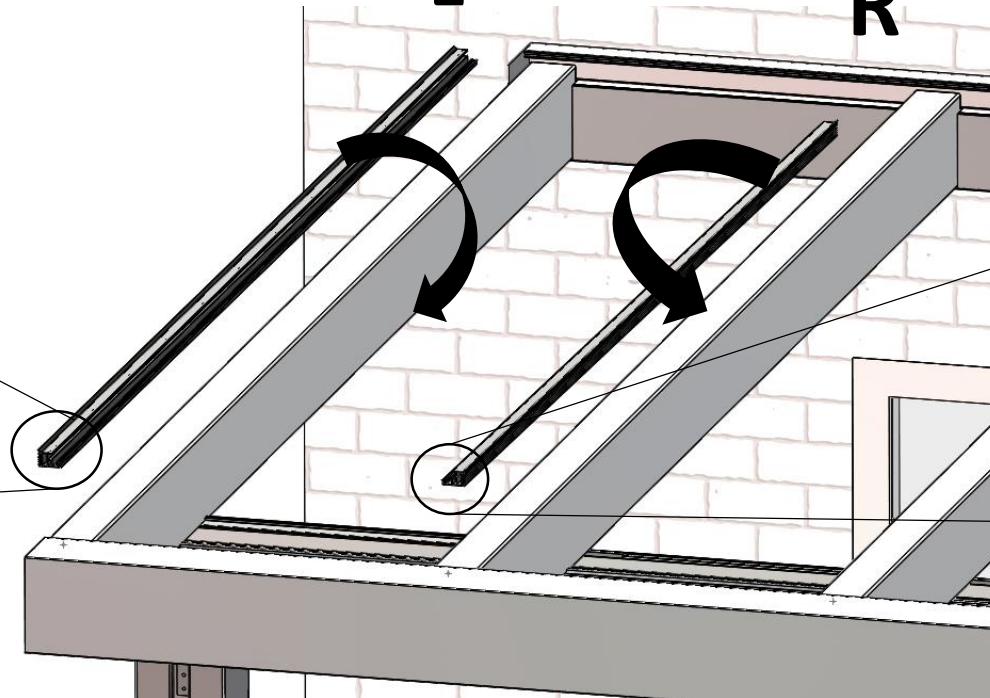
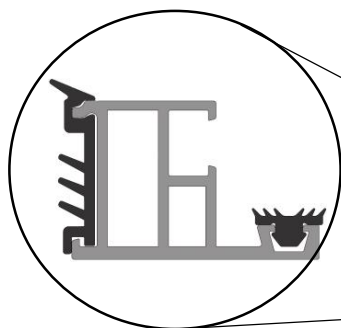
L

R



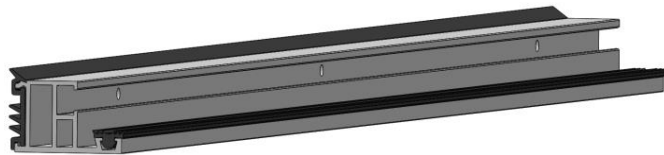
L

R

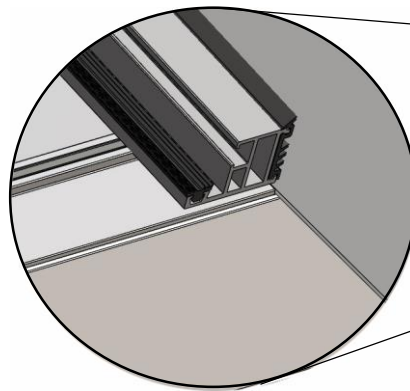
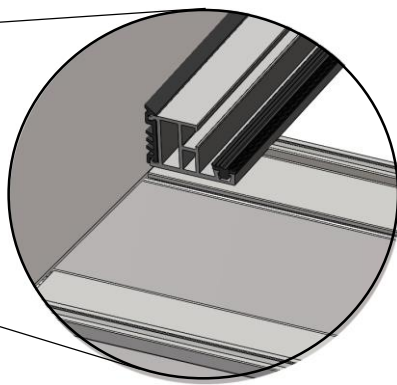
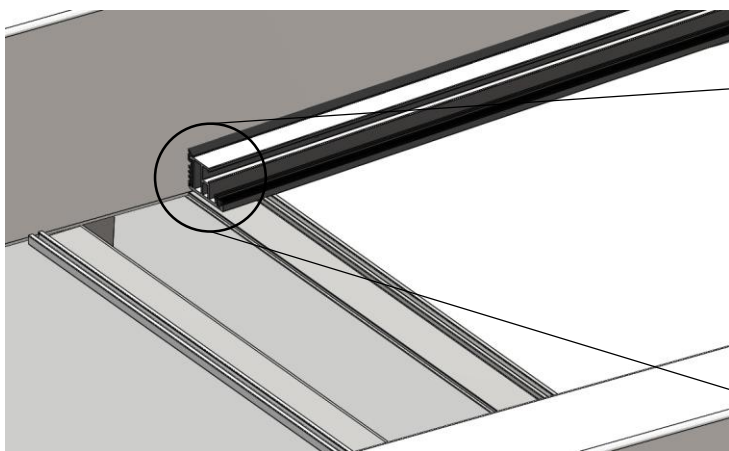
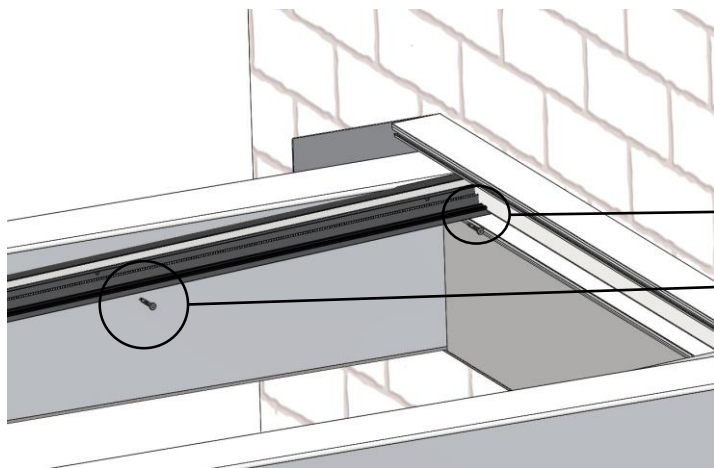


53

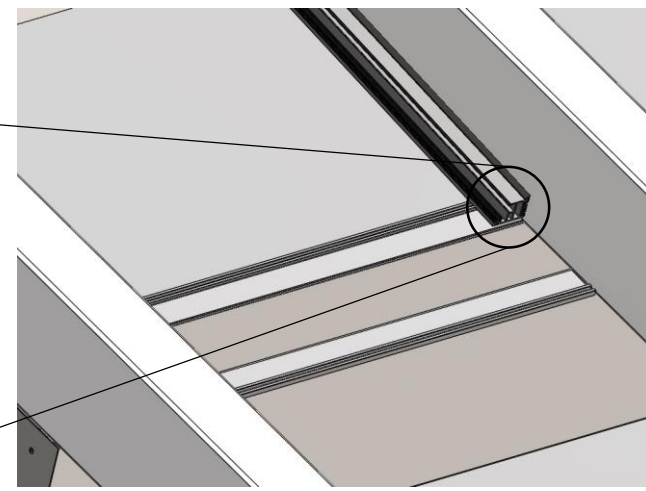
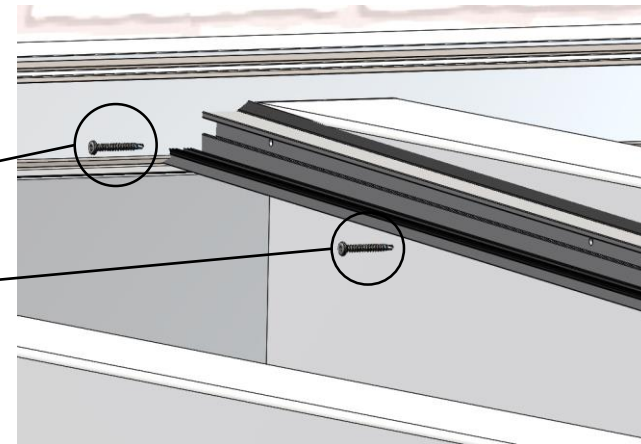
2 x AL10012



16 x 0385 SA 5,5 x 32

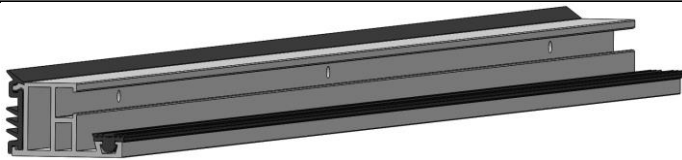


16 x

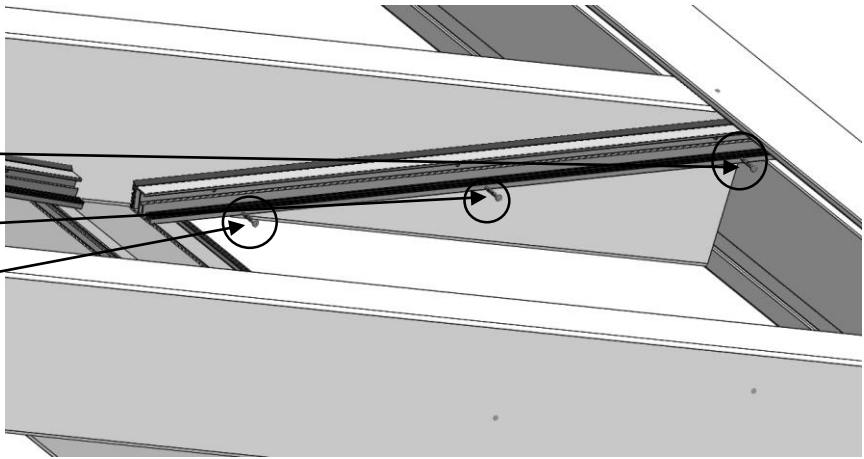
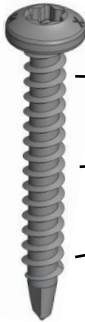
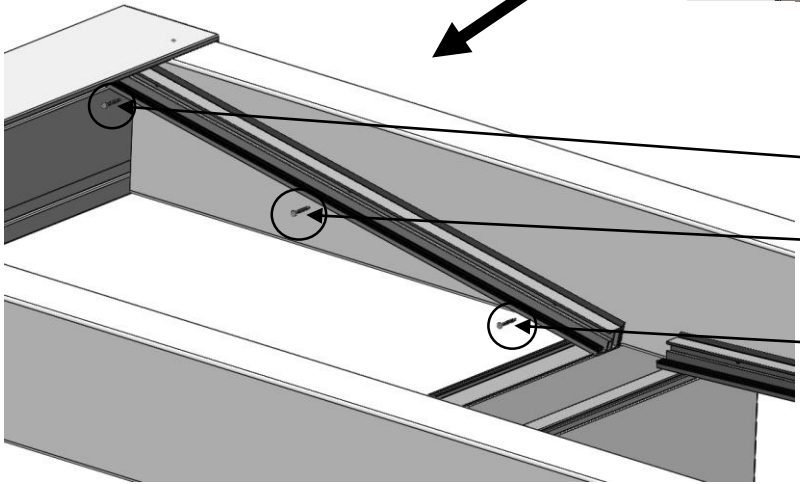
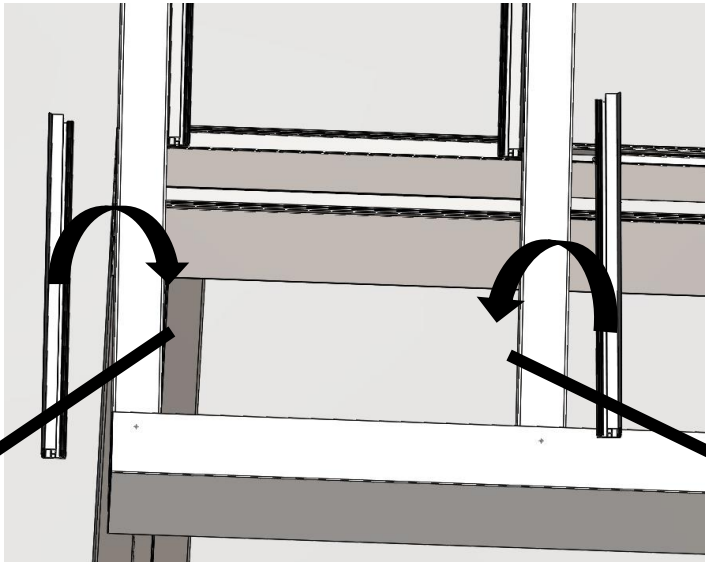


54

2 x AL1012

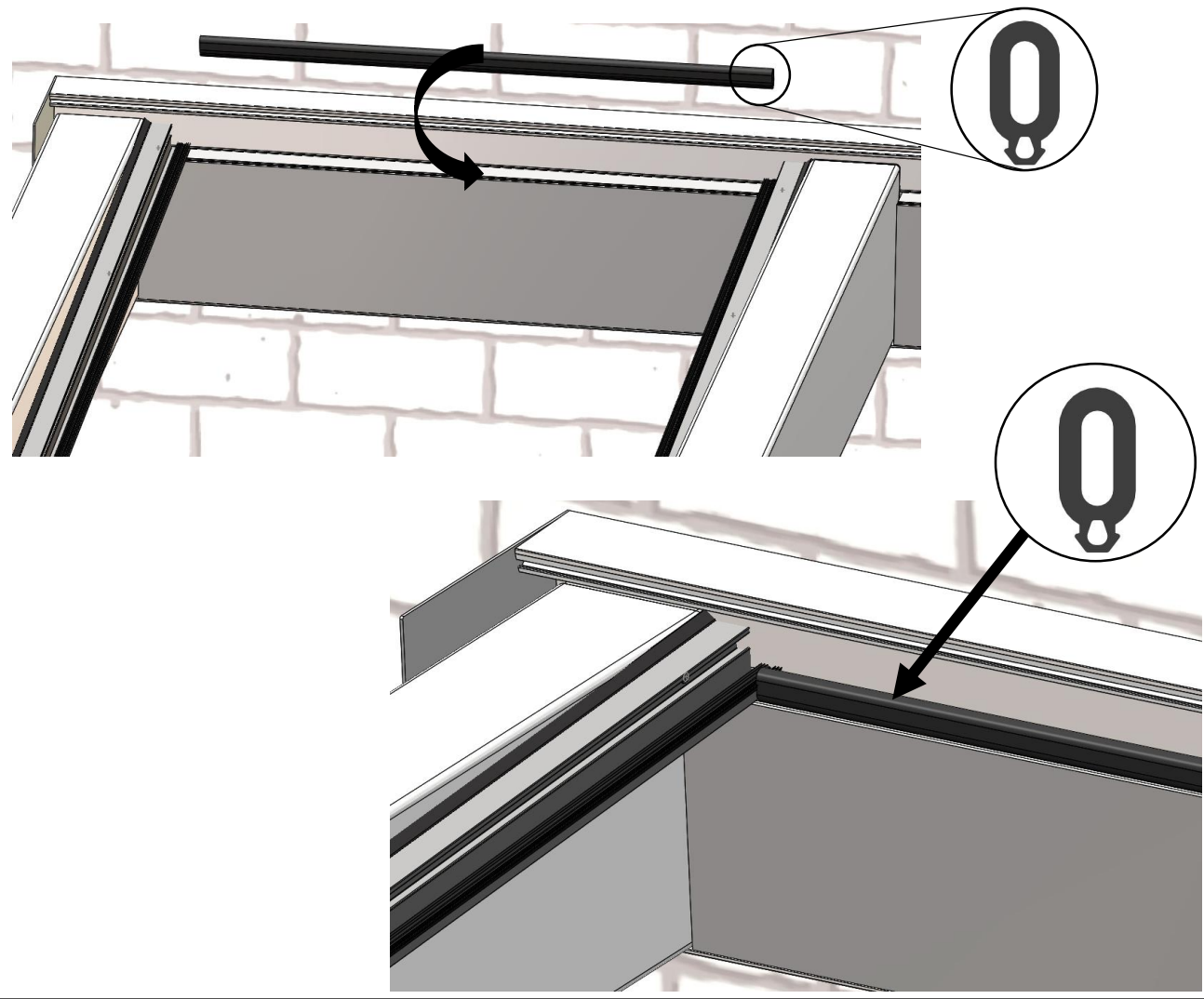
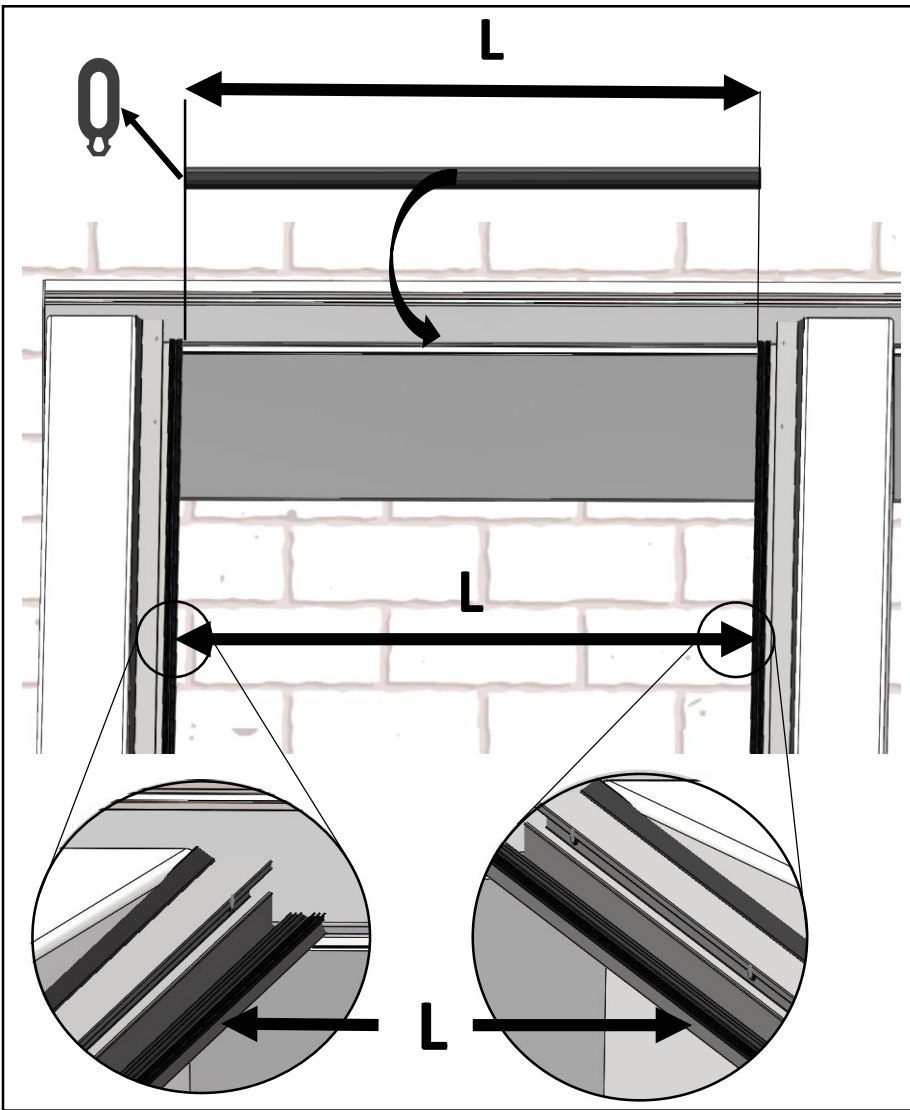


6 x 0385 SA 5,5 x 32



55

1 x



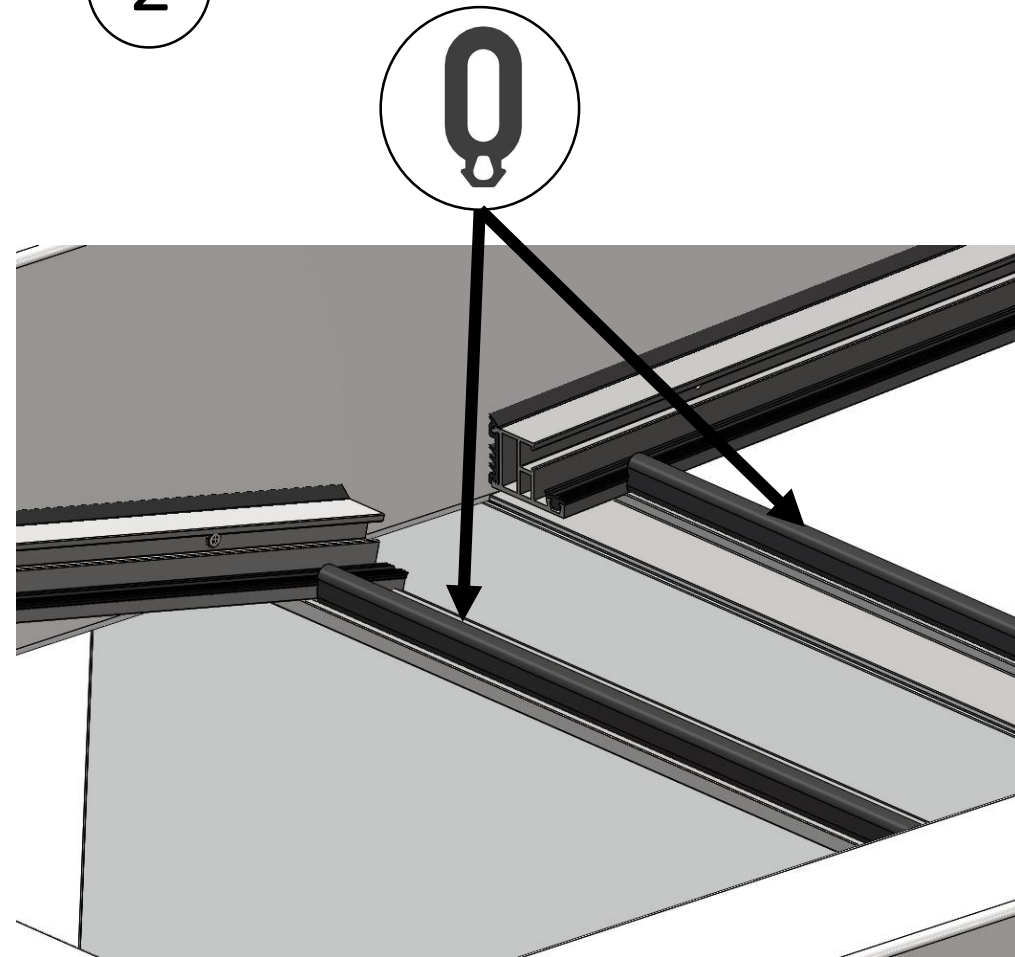
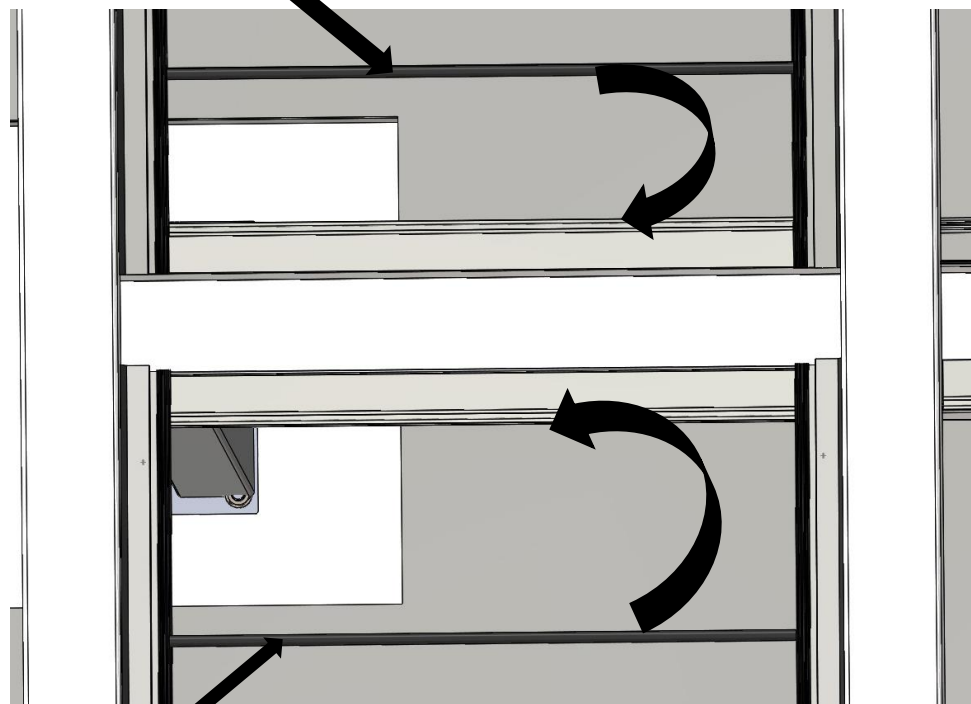


56

2 x



L



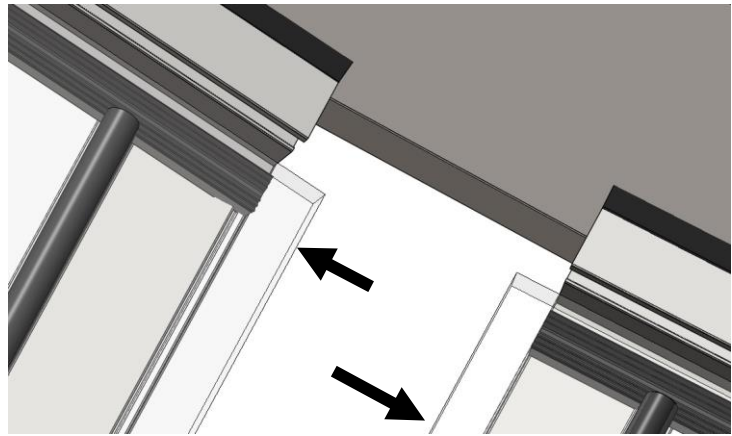
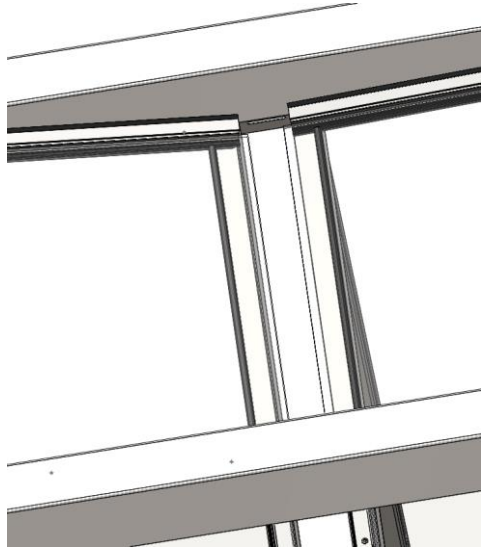
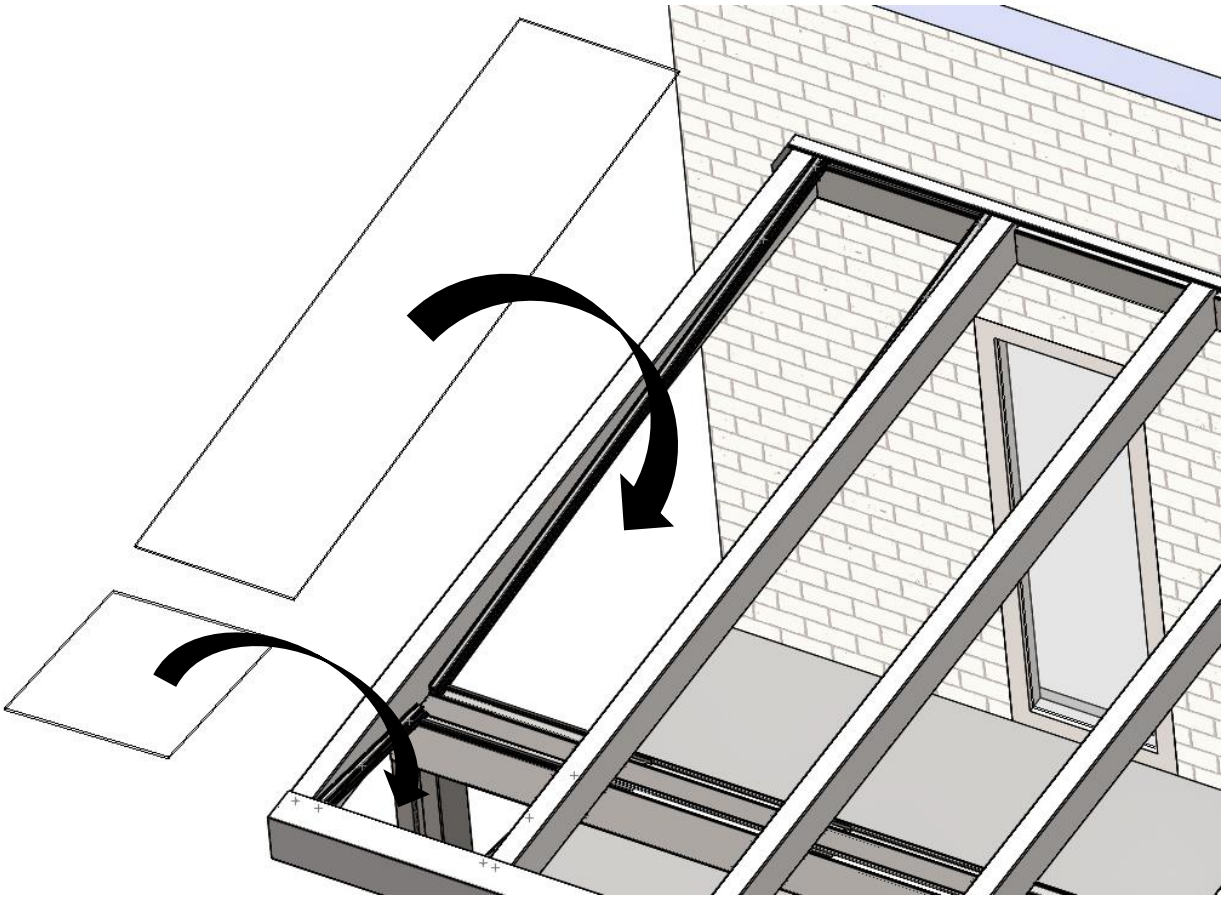


57

1 x



1 x

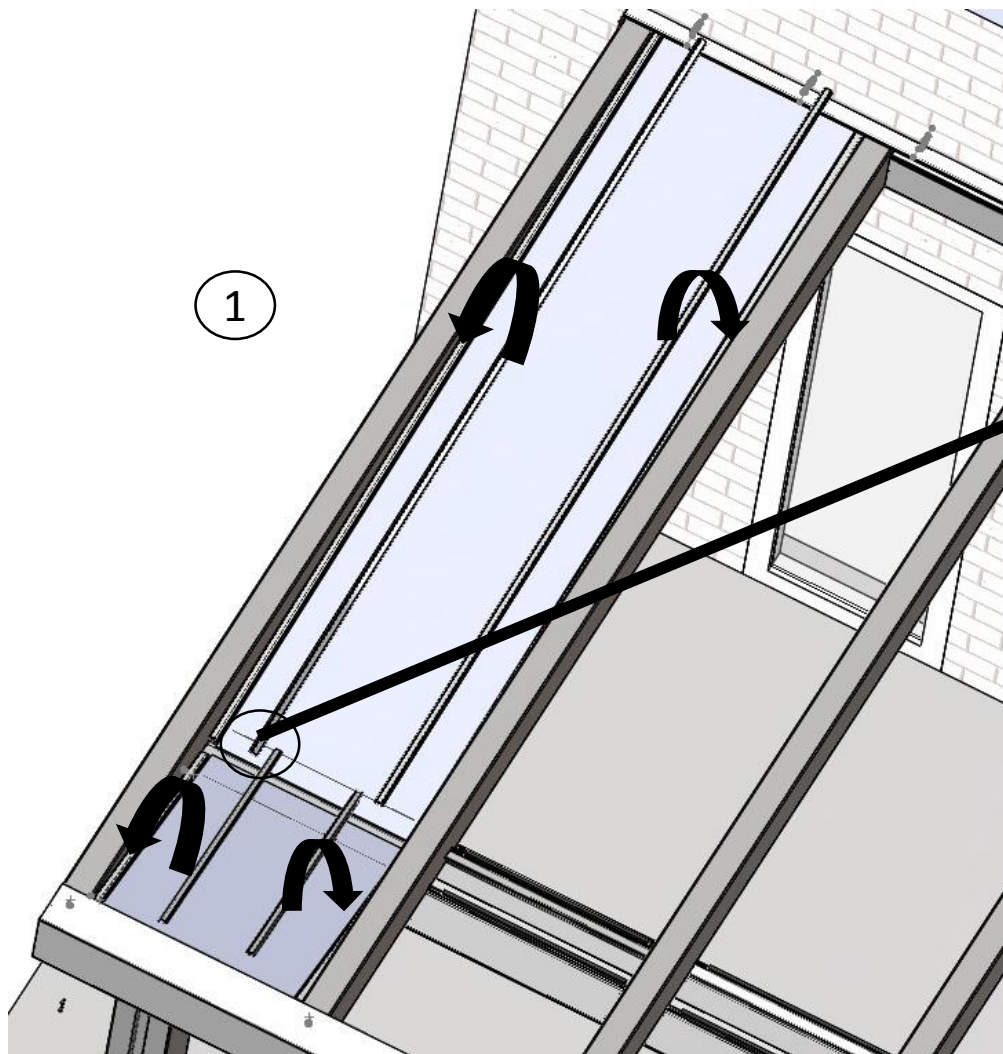


58

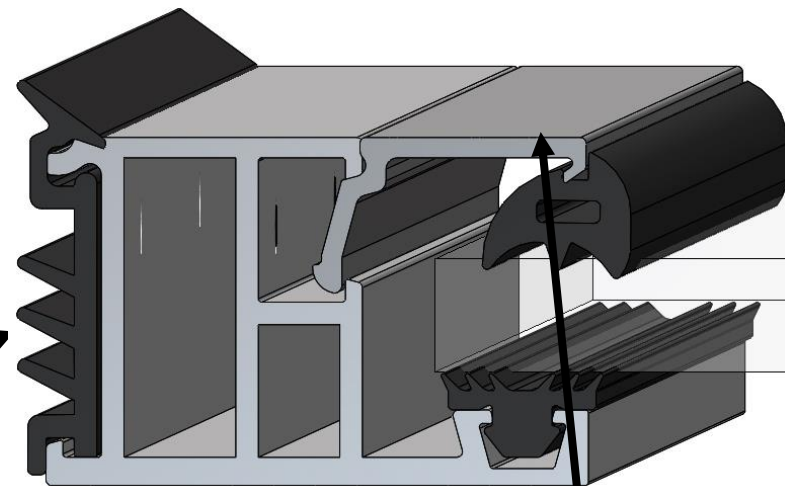
4 x AL10013



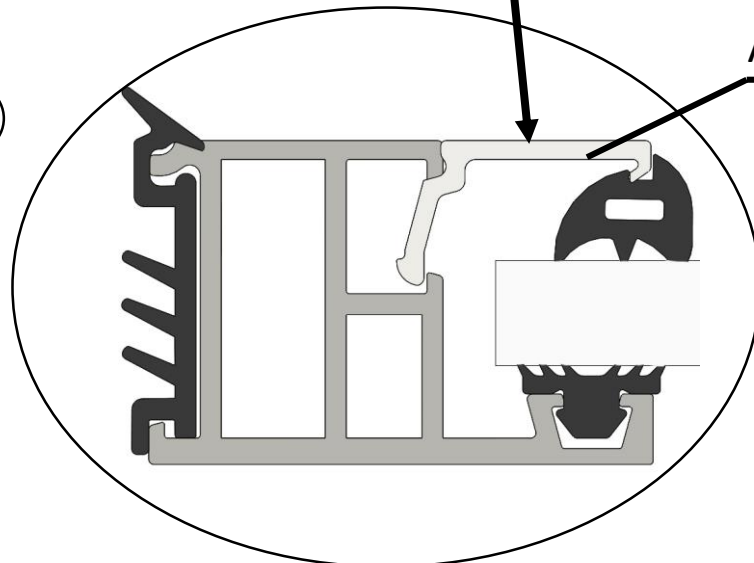
1

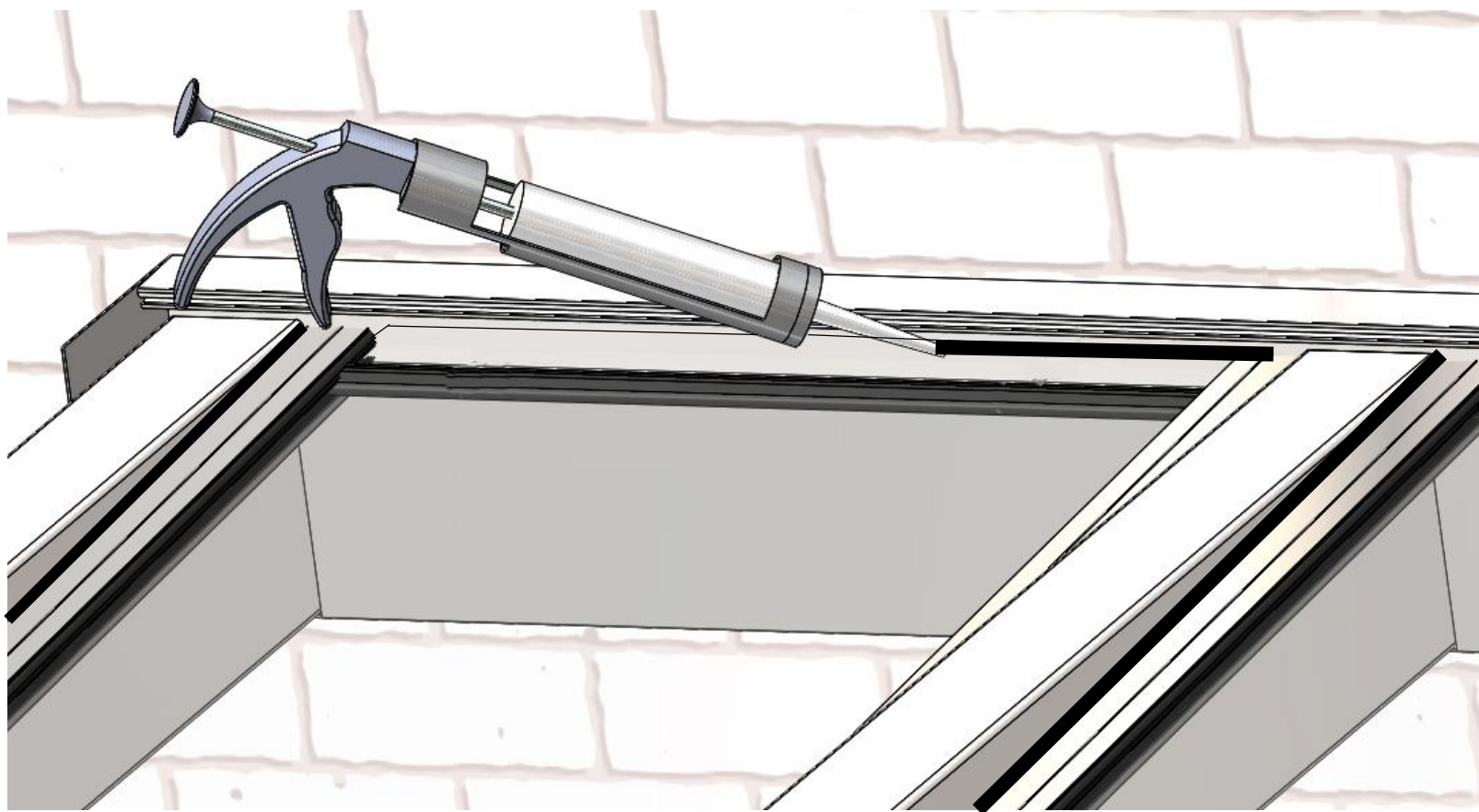


2



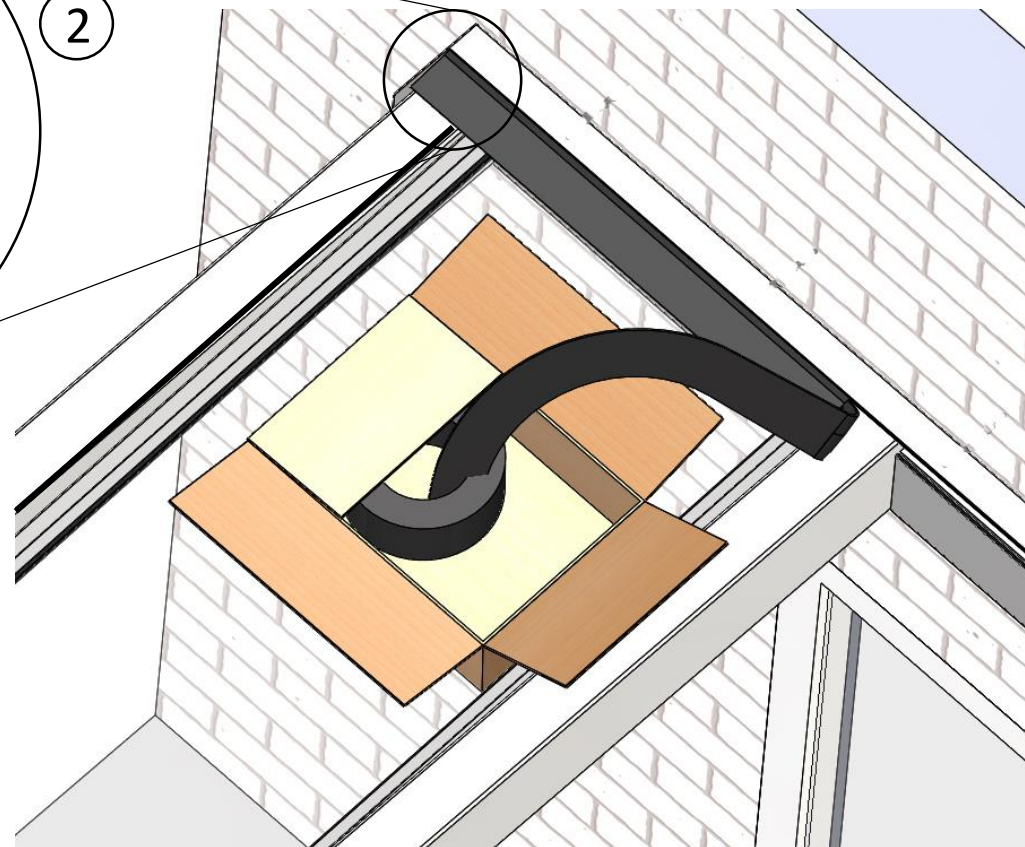
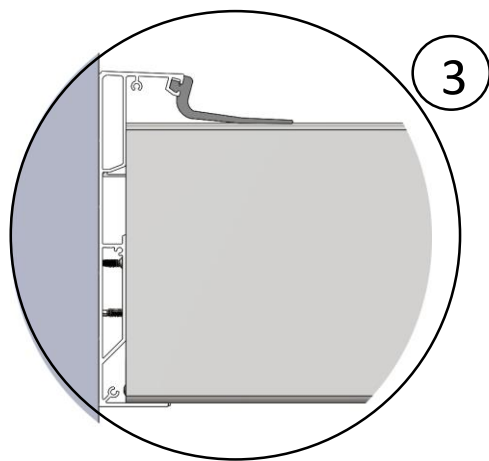
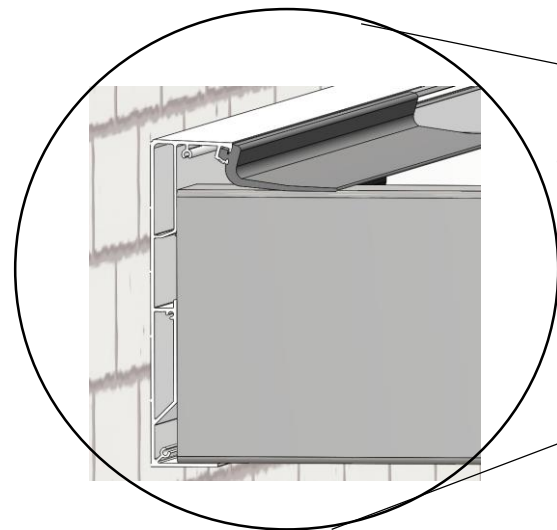
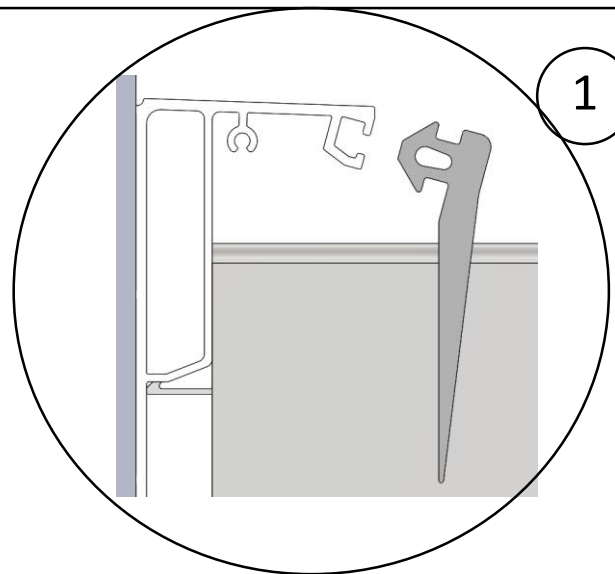
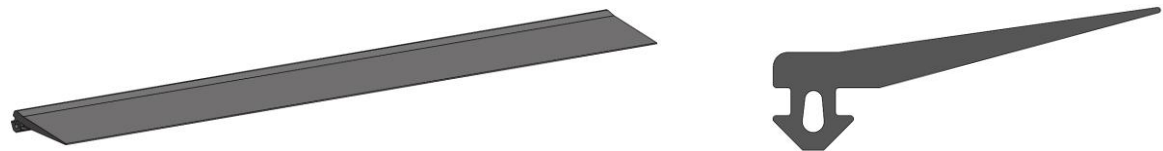
AL10013



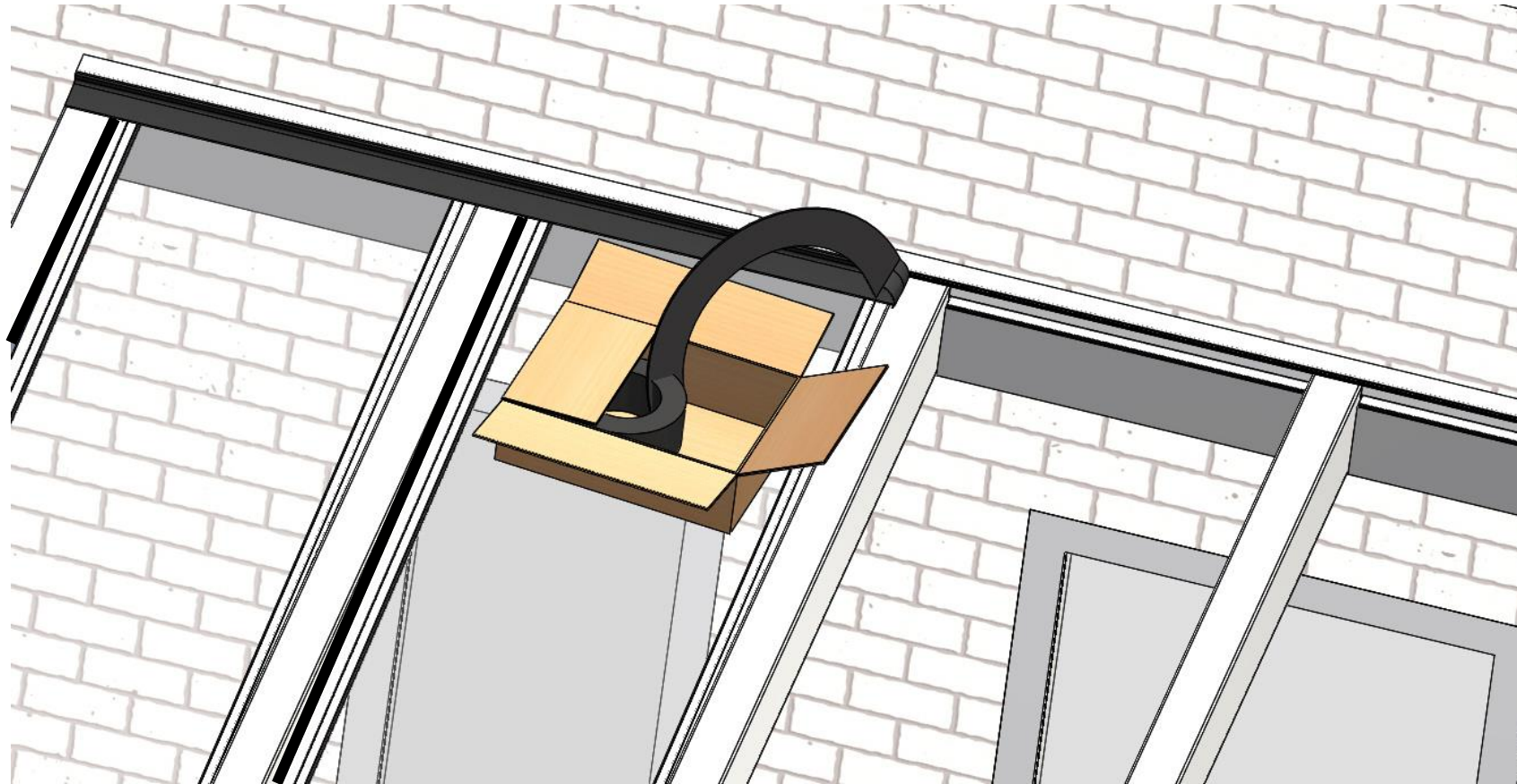
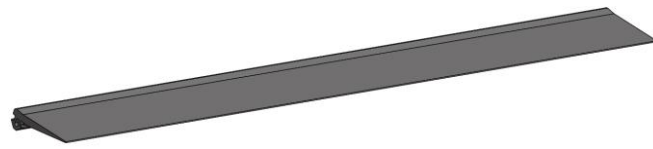




60



61

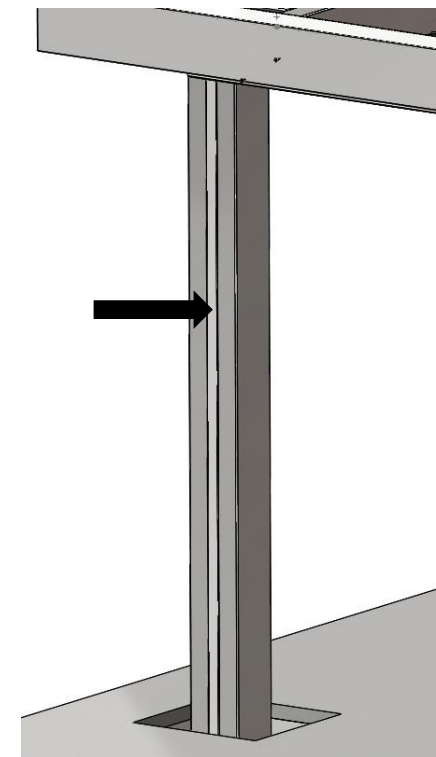
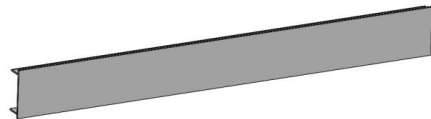


N x



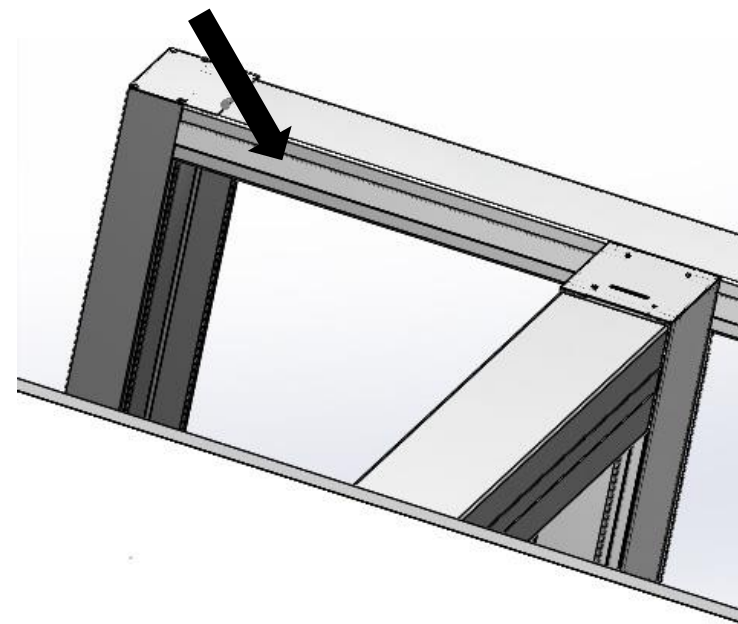
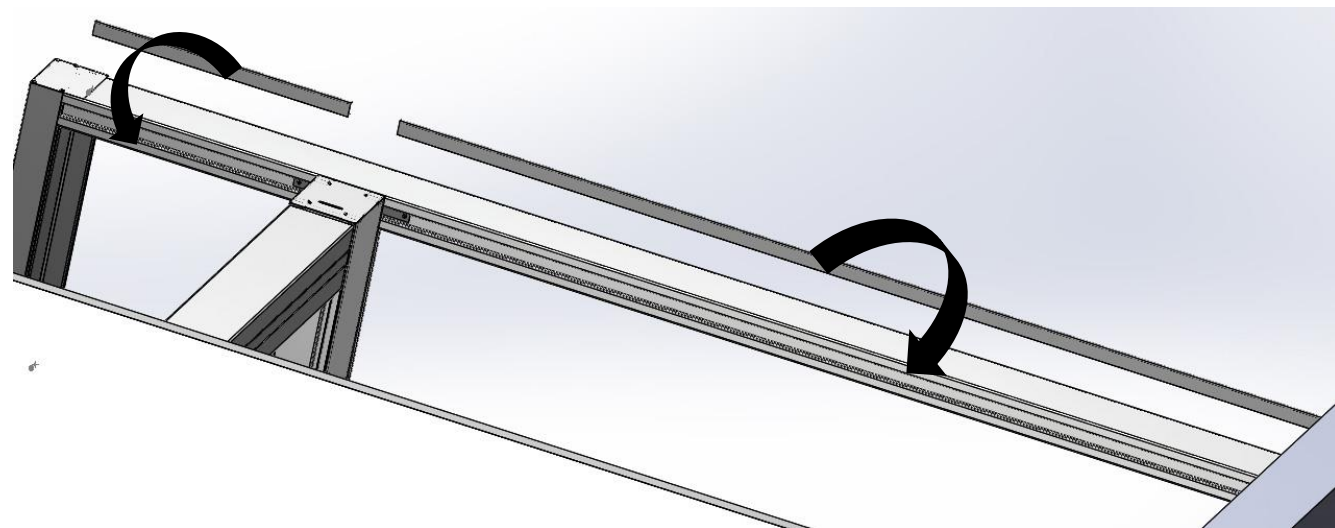
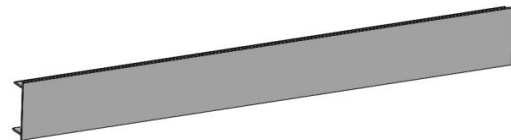
62

4 x AL10007



63

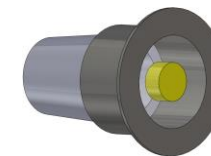
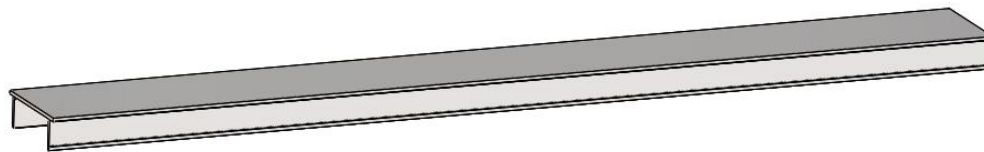
N x AL10007



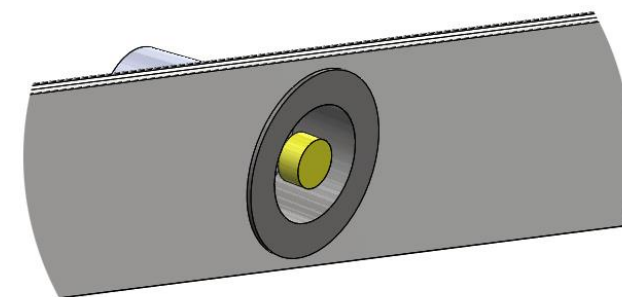
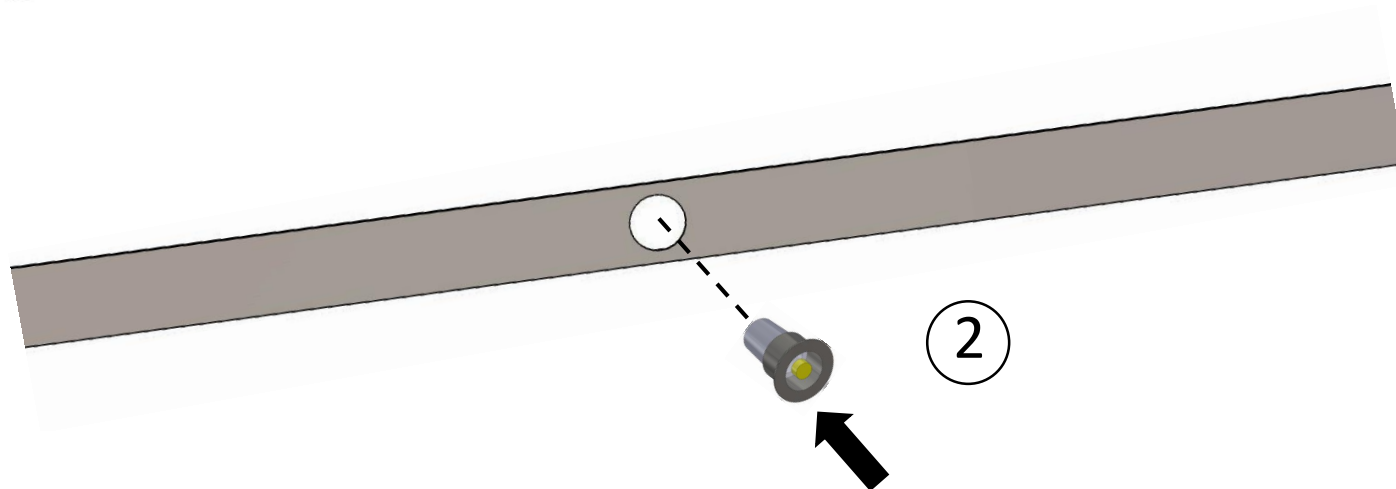
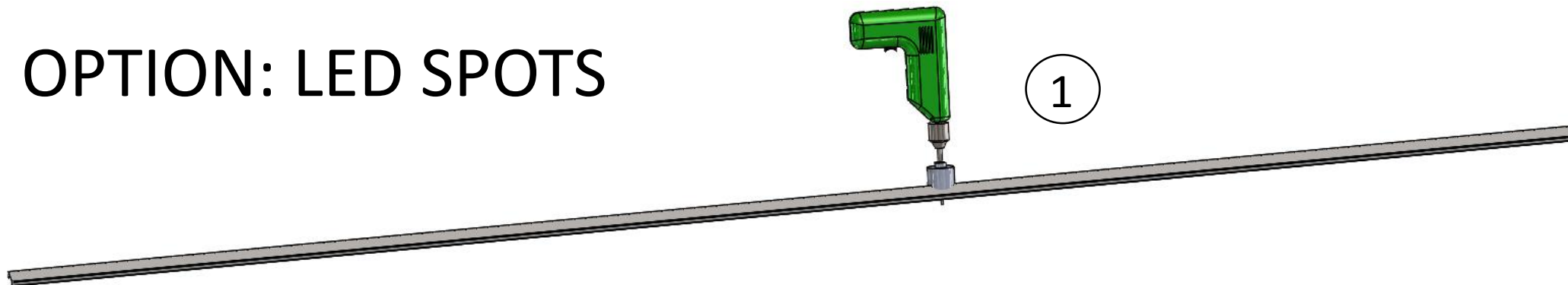
N x

64

N x AL10007



# OPTION: LED SPOTS



## OPTION: LED SPOTS

